

Pump Kit

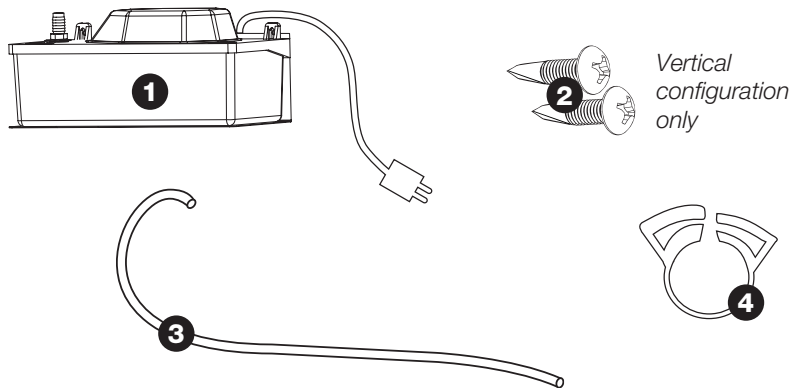
Part No. 4022220

Parts Included:

1. Condensate Pump with Cord (120V)
2. (2) 8-18 x 3/4 Screws (Vertical configuration only)
3. 3/8" x 20' Hose
4. Clamp

Tools Required:

- Phillips Screw Driver
- Level
- Utility Knife
- Additional materials will be needed to elevate dehumidifier

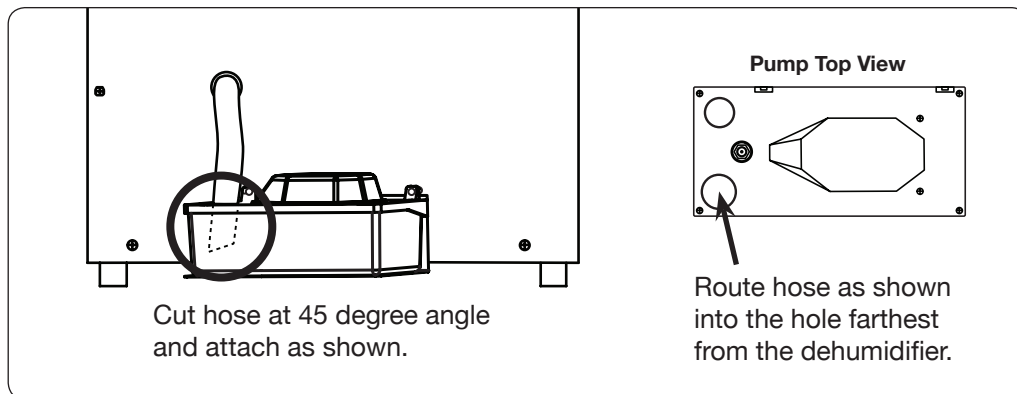


⚠ CAUTION!

BEFORE INSTALLING PUMP KIT, DISCONNECT DEHUMIDIFIER FROM ELECTRICAL POWER AND DISCONNECT DRAIN HOSE IF PREVIOUSLY INSTALLED.

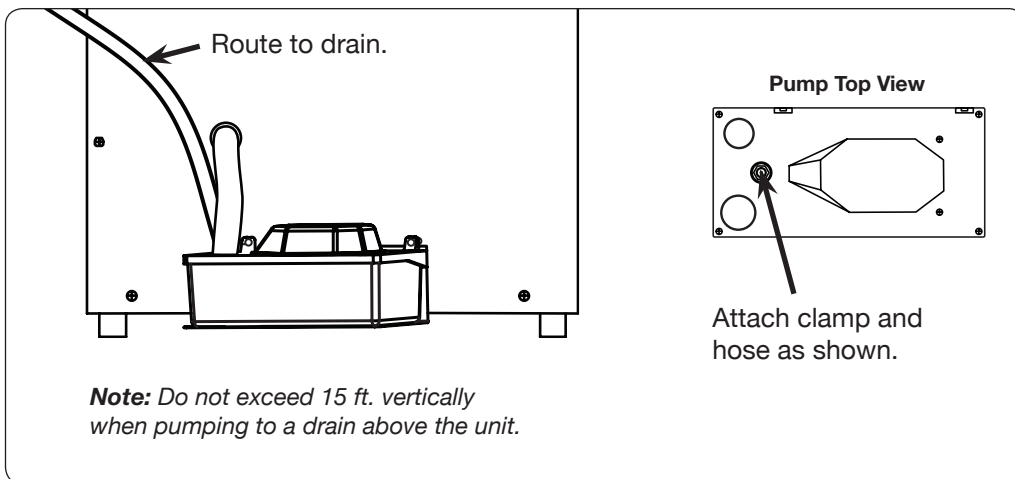
Horizontal & Vertical Configuration

Step 1: Route 9/16" hose from the dehumidifier to the condensate pump as shown. Be careful not to kink the hose. Trim hose to fit properly. To help with proper drainage, cut hose at 45 degree angle.



OVER →

Step 2: Insert clamp onto 3/8" drain hose and then attach hose onto the barbed outlet fitting on the condensate pump. Tighten clamp and verify that hose is secured tightly to the condensate pump by gently pulling on the hose. Route hose appropriately to drain.



Step 3: Plug the condensate pump cord and dehumidifier cord into an outlet that is protected with a GFCI device on its circuit.

