

ESTEAM CLEANING SYSTEMS



OWNER'S MANUAL

Congratulations on your selection of a new E1200 hard surface and soil extractor built in Canada by "Esteam Cleaning Systems." Our goal has been to produce the best high performance line of cleaning equipment on the market today. Reading your owners manual will help to achieve maximum benefit from your purchase.

(760-165)

TABLE OF CONTENTS

| | Page No. |
|-----------------------------|----------|
| Introduction on the E1200 | 2 |
| Specifications | 2 |
| Maintenance | 3 |
| Safety Information | 3 |
| Operating Instructions | 4 |
| Trouble Shooting | 7 |
| Schematic | 10 |
| Optional Circuit indicator | 17 |
| Warranty Registration | 21 |
| Warranty | 22 |
| Pump-out Cleaning Procedure | 26 |

INTRODUCTION

Only the highest quality components go into our equipment, to deliver you strength and reliability in a long life, high performance machine. The E1200 's housing is made of high impact, unbreakable polyethylene. We are so confident in the housing that we put a limited lifetime warranty on the body.

The E1200 incorporates a unique dual 2 stage vacuum system. Two 2 stage vacuum motors hooked up in sequence produce 150 inches of water lift. To compliment the vacuum lift the E1200 comes standard with a Rule industrial pump which disposes up to 2800 gallons per hour under vacuum.

The E1200 is also available for hard surface and carpet cleaning with it's adjustable 1000 PSI solution pumps.

The E1200 's clean water solution tank and the dirty water recovery tank both have a 40 litre capacity. Built into the recovery the E1200 comes standard with a high water automatic shut off. You never have to fear overflowing your recovery tank, as the vacuums will automatically stop extracting when the tank becomes full.

SPECIFICATIONS E1200 (110v)

| | |
|---|--|
| ELECTRICAL Amps Volts | Two cords 14 amps 115 volts |
| VACUUM MOTOR Cfm's Vacuum lift | 2 - 2 stage vac 94 150" |
| PUMP OUT (RULE 2800) | 2800 GPH 1.5 AMP |
| SOLUTION PUMP Pump Motor | 1000 psi Plunger 1-1/2 HP A/C 1725 RPM |
| INTERNAL HEATER | N/A |
| SOLUTION TANK (Clean water) | 10.5 gallons (40 litres) |
| RECOVERY TANK | 10.5 gallons (40 litres) |
| LENGHT | 26 inches (66 cm) |
| WIDTH | 17 inches (43 cm) |
| HEIGHT | 34 inches (86 cm) |
| WEIGHT | 132 lbs (59.8 kgs) |

MAINTENANCE

DAILY:

- Clean high water level float screen inside the recovery tank.
- Ensure high level float ball is working properly.
- Rinse out recovery tank after use.
- Clean dirt and obstructions from the (recovery tank) drain valve rubber gaskets to prevent premature wear.
- Rinse out pump with clean water at conclusion of work day.
- Clean poly housing with mild soap and water.
- Check machine fuse.

MONTHLY:

- Clean air inlet and check exhaust port.
- Check to make sure cooling fan is operating properly.
- Check 1 ½ dump valve seal.

YEARLY:

- We recommend that your unit be inspected by a qualified service technician once a year.

PREVENTATIVE MAINTENANCE:

- Never store this unit in a place where there is a possibility of the temperature dropping below 0°C (32°F).

SAFETY INFORMATION

1. Prior to inspection or repair of this machine, disconnect all electrical cords rendering the machine powerless. Failure to do so could result in serious or fatal injury.
2. Inspect unit daily for worn or damaged components. E.g. frayed cord, loose plug, or a plug with missing ground pin, etc.
3. This unit should only be operated when in an upright position on a level surface.
4. Do not operate unit unless it is properly grounded in a 3 pin grounded outlets. Never bend or remove ground pin from plugs.
5. Ensure filters and screens are free from lint or dirt.
6. Do not run unit if vacuum motor or pump are wet. Allow sufficient time for motor to dry before plugging unit in.
7. Do not use solvent based cleaning products in this extractor.
8. Keep air inlets and exhaust ports free from obstructions. Blocked air inlets or exhaust ports can cause the unit to overheat.
9. Do not use solution or recovery tanks for storing hoses, cords or accessories.
10. When using electrical equipment around water it is important to wear rubber soled shoes and keep machine properly grounded at all times. Failure to do so could result in a fatal electric shock.

OPERATING INSTRUCTIONS

Hard surface Cleaning or Carpet Cleaning

1. Insert electrical cords into 3 pin grounded outlets. Two cord machines must be plugged into separate circuits before operating. Machines equipped with an Optional Circuit Indicator will illuminate the green light when two separate circuits are selected, showing the machine is ready for operation.
2. We recommend the use of Esteam Liquid Defoamer, to prevent the machine from prematurely shutting off due to excess foam in the recovery tank. Turn on vacuum switch and pour approximately ¼ cup of Esteam Liquid Defoamer into the end of the vacuum hose.
3. The E1200 is equipped with auto fill and drain, simply attach the supplied hoses to a water supply (BLUE) and the pump out hose (YELLOW) to a sanitary drain. You may also manually fill and drain the machine, especially for a small amount of cleaning.
4. Turn the pump out switch on, the pump will start sensing electronically for present water and then turn off. The pump will sense every 2 minutes thereafter for water to pump out.
5. The float in the fresh water tank will automatically allow water in to a preset level and maintain that level thereafter.
6. The E1200 pump is adjustable from 400-1000 PSI. To adjust pressure, turn the regulator (located on lower front of machine) clockwise to increase pressure and counter clockwise to decrease pressure.
7. Pump Priming Instructions
 - Fill fresh water tank.
 - Attach vacuum and solution hose to machine.
 - Attach primer quick connect to the end of solution hose.
 - Insert the solution with primer quick connect into the open end the vacuum hose and hold.
 - Turn on the vacuum and pump switches
 - Once a continuous flow of water is entering the vacuum hose, this indicates the pump is primed.
 - Turn off vacuum and pump switches and disconnect the primer quick connect.
8. Connect vacuum and solution hoses to the machine and then to the hard surface tool to be used.
9. Turn on switches and proceed to clean.
10. When not using the Auto Fill or Drain features, when the recovery tank becomes full the vacuum motors will stop extracting. The vacuum motors make a distinctive high pitched noise as all the air flow will be cut off. At this time turn off all switches, then the recovery tank may be drained by pulling up the drain valve

handle on the front of the machine and emptying the contents into a pail for disposal.

NOTE: Ensure that the high water level float screen inside the recovery tank is free from any obstructions. Be sure to close drain valve before resuming cleaning.

11. To empty solution tank remove vacuum hose from wand. Turn on vacuum switches and partially submerge end of hose into solution tank. Continue until all water has been removed from solution tank and transferred into recovery tank. Drain recovery tank.

WARNING: When using electrical equipment around water it is important to wear rubber soled shoes and keep machine properly grounded at all times. Failure to do so could result in electric shock.

E1200 MODEL



TROUBLE SHOOTING

WARNING: Prior to inspection or repair of this machine, disconnect all electrical cords rendering the machine powerless. Failure to do so could result in serious or fatal injury.

| PROBLEM | CAUSE | SOLUTION |
|--|--|---|
| 1. Entire unit will not operate | 1. Unit not plugged in | 1. Connect unit to 3 pin grounded outlets |
| | 2. Blown fuse on machine | 2. Check machine fuses and replace if necessary |
| | 3. Blown fuse or breaker for plug in outlet | 3. Check fuse panel for blown fuse |
| | 4. Loose wiring | 4. See dealer |
| 2. 1000 PSI Plunger pump will not run | 1. Switch not turned on | 1. Turn on switch |
| | 2. Broken switch | 2. See dealer |
| | 3. Blown fuse | 3. Replace fuse |
| | 4. Loose wiring | 4. See dealer |
| | 5. Pump motor defective | 5. See dealer |
| | 6. Motor reset button | 6. Press button for reset |
| 3. Vacuum will not run | 1. Switch not turned on | 1. Turn on switch |
| | 3. Broken switch | 3. See dealer |
| | 4. Loose wiring | 4. See dealer |
| | 5. Blocked rotor | 5. See dealer |
| | | |
| 4. 1000 PSI Plunger pump runs but does not pump solution | 1. Out of solution | 1. Fill solution tank with solution |
| | 2. Pump inlet screen plugged | 2. Clean inlet screen |
| | 3. Pump was not properly primed | 3. Prime pump using priming hose |
| | 4. Kink in solution hose | 4. Remove kink |
| | 5. Plugged jet or quick connect | 5. Remove blockage |
| | 6. Internal (inside machine) or external solution line damaged and leaking | 6. See dealer |

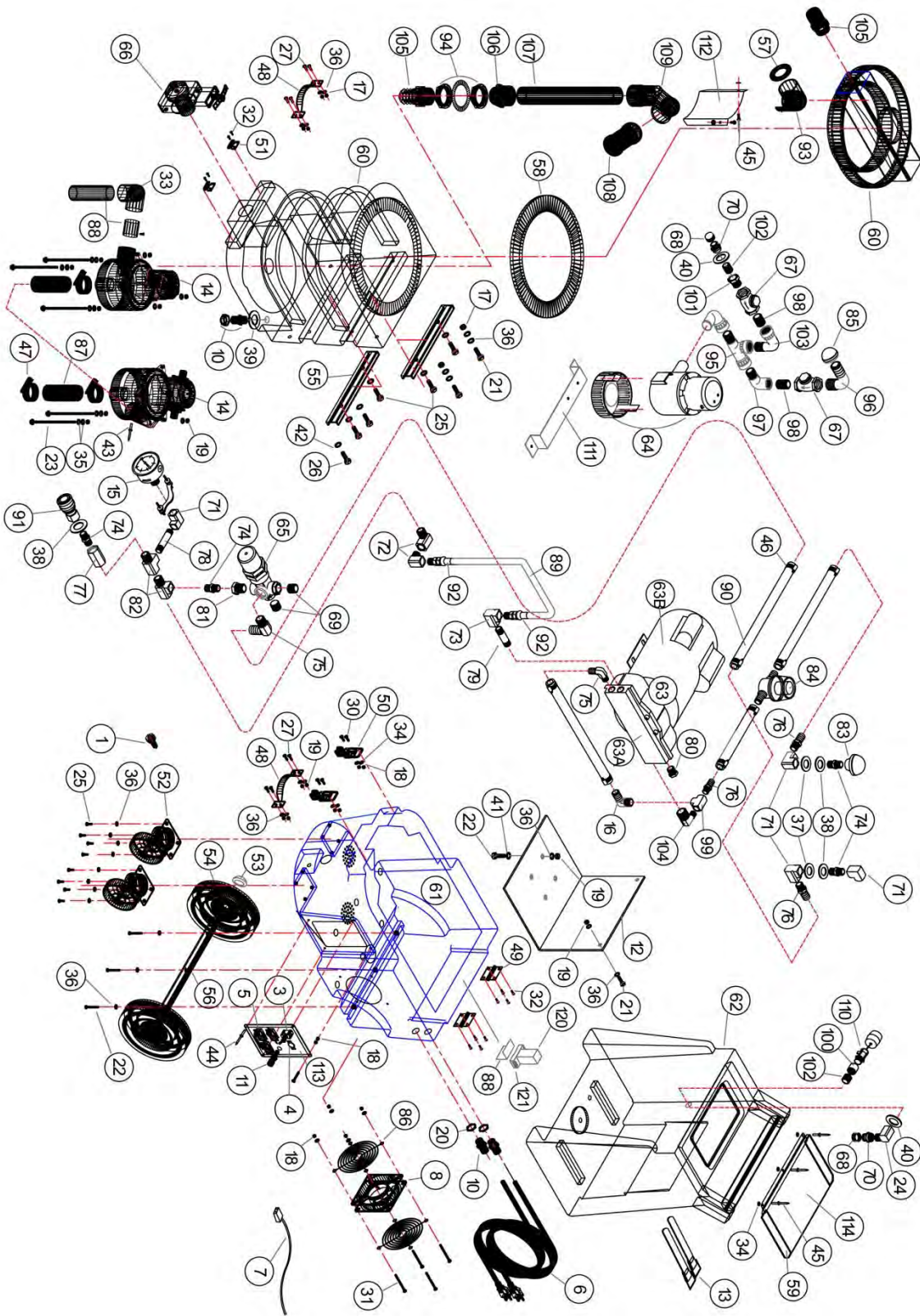
TROUBLE SHOOTING (CONTINUED)

| PROBLEM | CAUSE | SOLUTION |
|--|---|--|
| 5. 1000 PSI Plunger pump runs but has loss of pressure | 1. Pressure regulator valve out of adjustment | 1. Adjust pressure using regulator located at the front of the machine |
| | 2. Partial kink in solution hose | 2. Remove kink |
| | 3. Partial blockage in solution hose | 3. Remove blockage |
| | 4. Jet orifice opening on cleaning wand is too large | 4. Total jet opening for 1000 PSI pump should be .04 |
| | 5. Pressure regulator valve components wearing out | 5. See dealer |
| | 6. Internal pump components wearing out | 6. See dealer |
| 6. Vacuum operates but has poor or no suction | 1. Recovery tank full | 1. Drain recovery tank |
| | 2 Vacuum hose plugged | 2. Locate and remove blockage |
| | 3. Wand plugged | 3. Locate and remove blockage |
| | 4. Exhaust port blocked | 4. Locate and remove blockage |
| | 5. High level float stuck in off position | 5. Turn vacuum off and tap top of float screen cage |
| | 6. Front drain valve left open after draining recovery tank | 6. Close recovery tank drain valve on front of machine |
| 7. Vacuum prematurely stops extracting | 1. Excess foam in recovery tank | 1. Add defoamer to recovery tank |
| | 2. Lint or dirt on automatic shut off float screen | 2. Clean auto shut off float screen |
| | 3. Defective float ball | 3. Replace float screen cage |

TROUBLE SHOOTING (CONTINUED)

| PROBLEM | CAUSE | SOLUTION |
|--|---|---|
| 8. Machine spits water out of exhaust port | 1. High level float not working properly | 1. Check auto shut off float cage and ball for proper operation |
| 9. Machine blowing excessive amounts of water out of exhaust ports | 1. Damaged (leaking) recovery tank fittings | 1. Immediately shut unit down. Bring unit to a dealer for service |
| 10. Water accumulating in bottom electrical component area | 1. Inside solution line leaking | 1. Immediately shut unit down. Bring unit to a dealer for service |
| | 2. Pump leaking | 2. Immediately shut unit down. Bring unit to a dealer for service |
| | 3. Solution or recovery tank leaking from above | 3. Immediately shut unit down. Bring to a dealer for service |

E1200



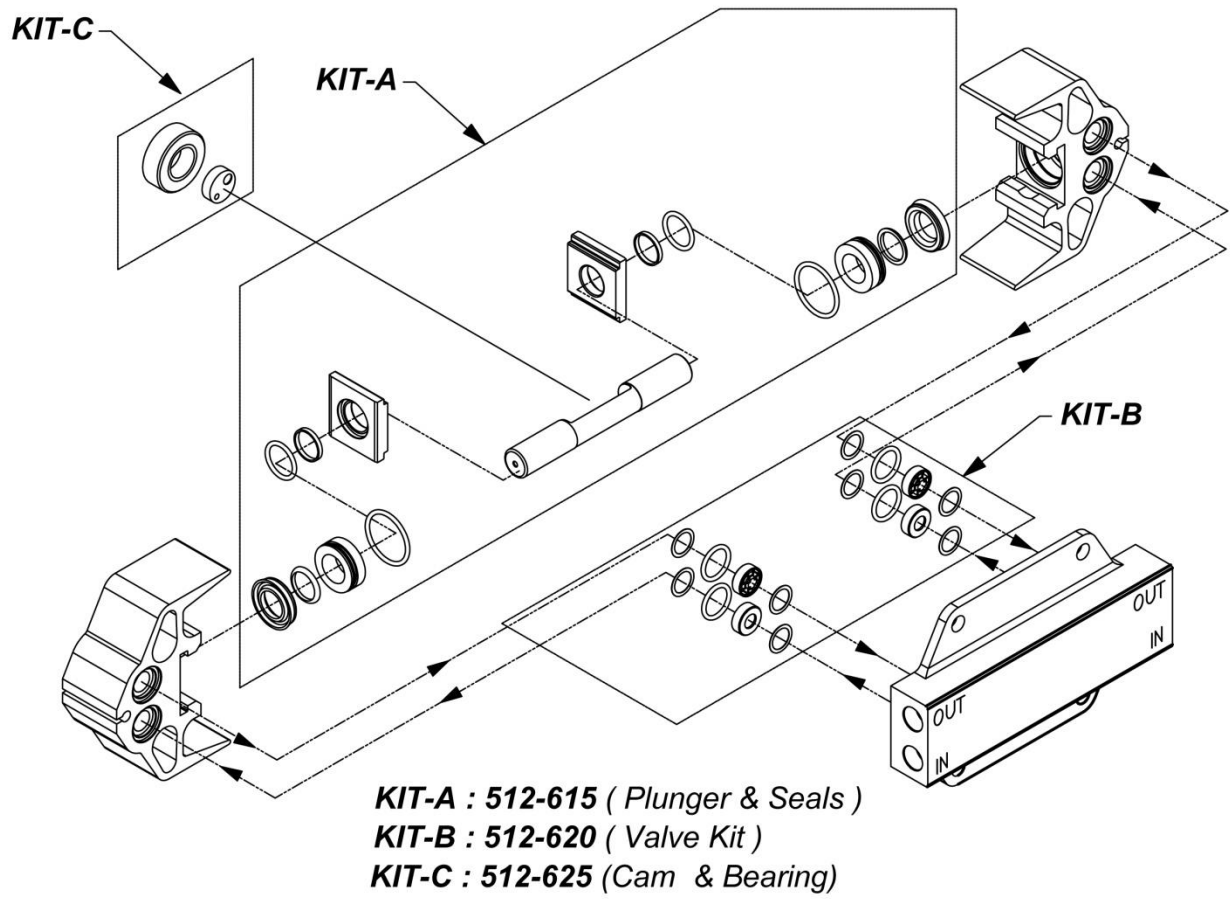
E1200 PARTS LIST

| REF | PART NO. | DESCRIPTION | NOTES: |
|-----|----------|---|-----------|
| 1 | 580-015 | 1/4 Quick Connect (for Priming Pump) | |
| 2A | 263-150 | Supply Hose (Blue), 1/2" x 50' (MXF) | Not Shown |
| 2B | 263-155 | Discharge Hose (Yellow), 1/2" x 50' (MXF) | Not Shown |
| 3 | 305-210 | Switch, Toggle 110v / 220v | |
| 4 | 305-225 | Switch Plate, ON/OFF | |
| 5 | 305-230 | Switch, Rocker 20 Amp | |
| 6 | 315-015 | Cord, 25' Black 12/3 SJTW-A | |
| 7 | 315-040 | Cord, Fan - Muffin | |
| 8 | 333-010 | Fan, Muffin 6"- 115V | |
| 9 | 560-400 | Filter Kit | Not Shown |
| 10 | 335-015 | Strain Relief, 14 Gauge | |
| 11 | 340-165 | Circuit Breaker (20 Amp) | |
| 12 | 465-053 | Bracket, Motor E1200 | |
| 13 | 350-005 | Strap Velcro | |
| 14 | 355-451 | Vacuum, 2-STG | |
| 15 | 360-015 | Gauge, 1000PSI | |
| 16 | 555-325 | Hose Barb 90, 1/2 Barb x 1/4 MPT | |
| 17 | 400-115 | Locknut, 1/4 x 20 Nylon SS | |
| 18 | 400-130 | Locknut 10 x 24 | |
| 19 | 400-135 | Locknut, 1/4 x 20 Nylon Zinc | |
| 20 | 400-165 | Locknut, 1/2" | |
| 21 | 405-010 | Bolt, 1/4 x 1 SS | |
| 22 | 405-020 | Bolt, 1/4 x 1-1/4 SS | |
| 23 | 405-065 | Bolt, 1/4 x 6 Stove Zinc | |
| 24 | 555-220 | Elbow 90, 3/4 Street Extruded | |
| 25 | 405-615 | CS, 1/4 x 1/2 SS (Hex HD) | |
| 26 | 405-620 | CS, 1/4 x 3/4 SS (Hex HD) | |
| 27 | 410-005 | MS, 1/4 x 1 Phil SS Flat/H | |
| 28 | 410-058 | SMS, 4 x 1/4 Pan Phil S.S. | Not Shown |
| 29 | 410-150 | MS, 10-24 x 3/4 FLT/H | |
| 30 | 410-160 | MS, 10-24 x 3/4 Pan PH SS | |
| 31 | 410-175 | MS, 10-24 x 2 1/2 RH RB Zinc | |
| 32 | 410-205 | MS, 10-32 x 1/2 Panphil SS | |
| 33 | 590-010 | PVC Elbow 90, 1-1/4 S x S | |
| 34 | 415-115 | FW, 10 SS | |
| 35 | 415-120 | FW, 1/4 Zinc | |
| 36 | 415-125 | FW, 1/4 SS | |
| 37 | 415-155 | FW, 1/2 SS (Stand/Max OD) | |
| 38 | 415-156 | FW, 1/2 SS | |
| 39 | 415-185 | FW, 3/4 SS | |
| 40 | 415-195 | FW, 1 SS | |
| 41 | 415-200 | FW, 5/16 Zinc | |
| 42 | 415-305 | FNDW, 1/4 SS | |
| 43 | 555-542 | Reducing Nipple 3/8 MPT x 1/4 MPT | |
| 44 | 420-105 | Rivet, Al/St #66 | |
| 45 | 420-151 | Rivet, Fullysealed #68 | |
| 46 | 425-005 | Clamp, #8 | |
| 47 | 425-010 | Clamp, #20 | |
| 48 | 435-015 | Handle, Brass/Chrome | |

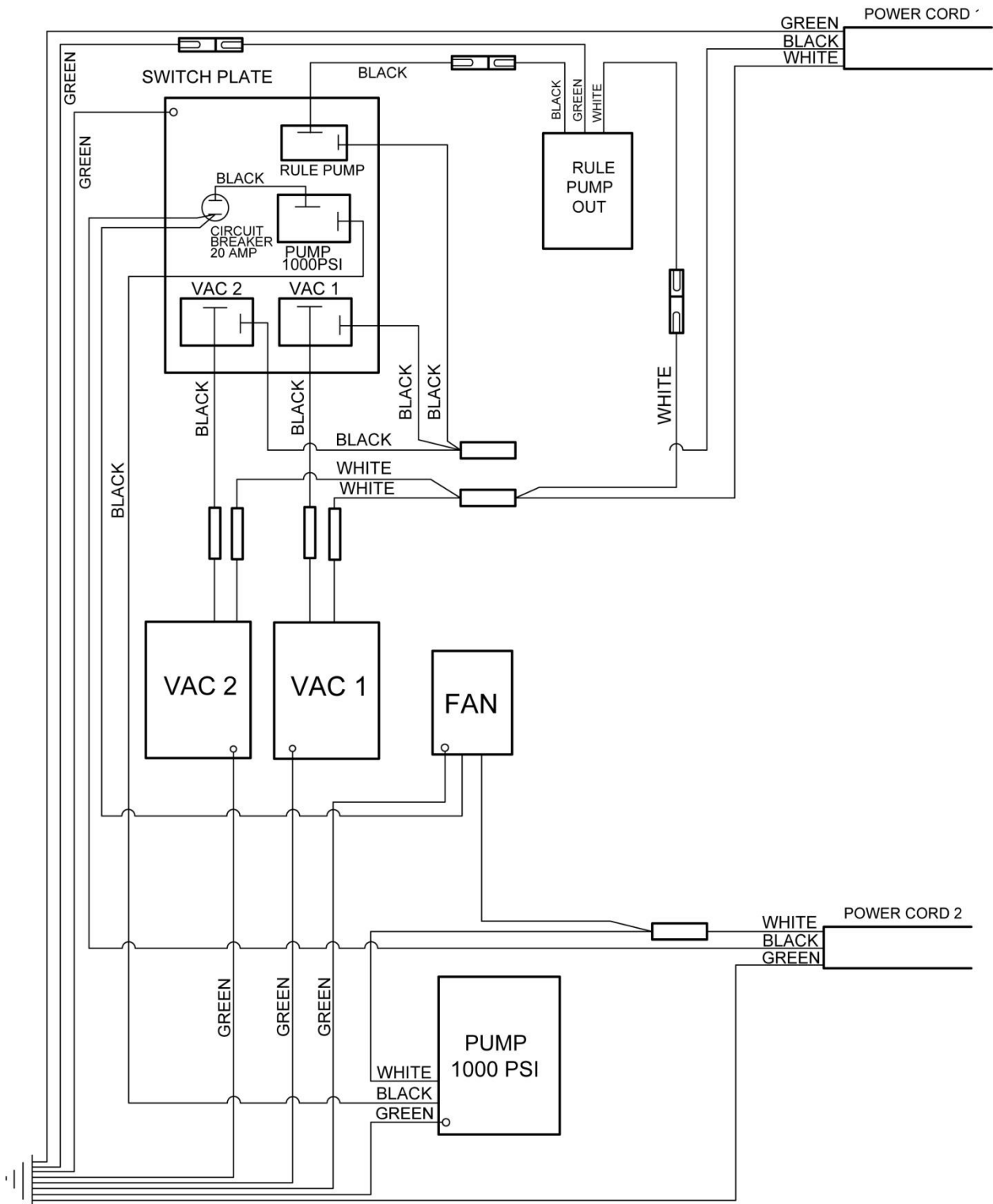
| | | | |
|-----|----------|--|--|
| 49 | 440-006 | S.S. Hinge 2" x 2" | |
| 50 | 445-015 | Latch, Machine | |
| 51 | 445-020 | Latch, Striker | |
| 52 | 455-075 | Caster, 4" Swivel | |
| 53 | 455-052 | Wheel Cap Dome | |
| 54 | 455-057 | Wheel, 8" Grey/Black Hub | |
| 55 | 465-065 | Brace, Ninja Tank | |
| 56 | 470-051 | Axel, Ninja HD | |
| 57 | 475-010 | Gasket, Rubber - 1 1/2" Dump Valve | |
| 58 | 475-030 | Gasket, Lid 3/8" | |
| 59 | 475-040 | Gasket, 1/8 x 1" | |
| 60 | 495-021C | Rec Tank & Lid Ninja | |
| 61 | 495-035 | Base, Ninja | |
| 62 | 495-040 | Sol Tank Ninja | |
| 63 | 512-600 | Pump, 1000 PSI & 1.5 HP Motor (110v) | |
| 63A | 512-605 | Pump | |
| 63B | 512-610 | Motor | |
| 64 | 520-015 | Pump, Rule 1800 / 110v | |
| 65 | 530-105 | Unloader | |
| 66 | 545-100 | Dump Valve, 1 1/2" | |
| 67 | 550-026 | Check Valve, Swing 1" | |
| 68 | 555-051 | Cap, Knurl C/W Chain | |
| 69 | 555-456 | Plug, 3/8 MPT (Countersunk) | |
| 70 | 555-144 | Coupling, M.Hose to 3/4 FPT | |
| 71 | 555-206 | Elbow 90, 1/4 FPT Extruded | |
| 72 | 555-208 | Elbow 90, 1/4 Street Extruded | |
| 73 | 555-212 | Elbow 90, 1/4 Street Extruded | |
| 74 | 555-272 | Hex Nipple, 1/4" | |
| 75 | 555-328 | Hose barb 90, 1/2 Barb x 3/8 MPT | |
| 76 | 555-370 | Hose Barb, 1/2 Barb x 1/4 MPT | |
| 77 | 555-132 | Coupling 1/4 | |
| 78 | 555-424 | Long Nipple, 1/4 x 2 1/2" | |
| 79 | 555-434 | Long Nipple, 3/8 x 2" | |
| 80 | 555-454 | Plug, 3/8 MPT Hex Head | |
| 81 | 555-024 | Bushing, 3/8 MPT x 1/4 FPT | |
| 82 | 555-636 | Tee, 1/4" Street Extruded | |
| 83 | 560-030 | Screen, Acorn | |
| 84 | 560-116 | Strainer, Inline Barbed 1/2 | |
| 85 | 560-120 | Strainer, E250 Spotter | |
| 86 | 560-330 | Guard, Finger, 6" Muffin Fan | |
| 87 | 570-010 | Vac Hose, 1 1/2 Wire Reinforced | |
| 88 | 595-110 | PVC, pipe 1-1/4" | |
| 89 | 572-125 | Pulse Hose, 3/8" | |
| 90 | 572-155 | Poly spring Hose, 1/2" | |
| 91 | 580-010 | Q.C. 1/4" Fem (Closed) | |
| 92 | 581-065 | Crimp Fitting, 3/8" Pulse Hose 1/4 MPT SVL | |
| 93 | 590-020 | PVC ELB 1-1/2" 90, s x FIPT | |
| 94 | 590-205 | PVC Wall Fitting, 1-1/2" | |
| 95 | 590-300 | PVC Tee 1" (SWV x MPT x SWV) | |
| 96 | 590-305 | PVC Elbow 1" l x MPT | |

| | | | |
|-----|---------|-------------------------------|--|
| 97 | 590-315 | PVC Elbow 1" Threaded 90 | |
| 98 | 590-320 | PVC Close Nipple 1" | |
| 99 | 555-632 | Tee 1/4 Extruded | |
| 100 | 590-330 | PVC Coupling Threaded 3/4" | |
| 101 | 590-335 | PVC Bushing 1 x 3/4" | |
| 102 | 590-340 | PVC Close Nipple 3/4" | |
| 103 | 590-345 | PVC Elbow 1" MPT x SWV | |
| 104 | 555-210 | Elbow 90, 3/8 MPT x 1/4 MPT | |
| 105 | 590-405 | PVC Hose Barb 1-1/2" MPT | |
| 106 | 590-415 | PVC ADPT 1-1/2", S x MPT | |
| 107 | 595-005 | ABS Pipe, 1-1/2" | |
| 108 | 597-010 | Float Screen Cage - Sealed | |
| 109 | 597-061 | Adpt (RM) 30 Degree | |
| 110 | 597-065 | Valve, Diaphragm – Auto Fill | |
| 111 | 465-049 | Bracket, Rule Pump | |
| 112 | 845-011 | Baffle, Vr 2 | |
| 113 | 845-030 | Switch Plate | |
| 114 | 845-041 | Solution Tank Cover (Plastic) | |

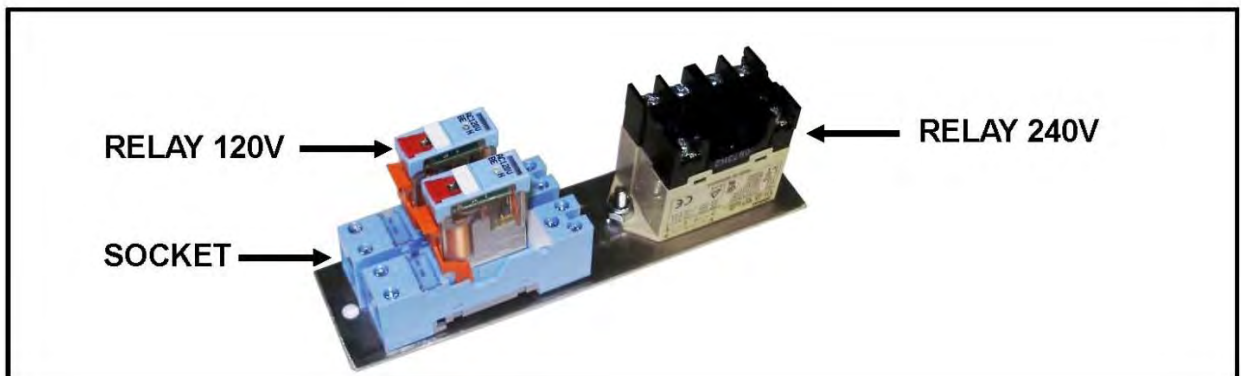
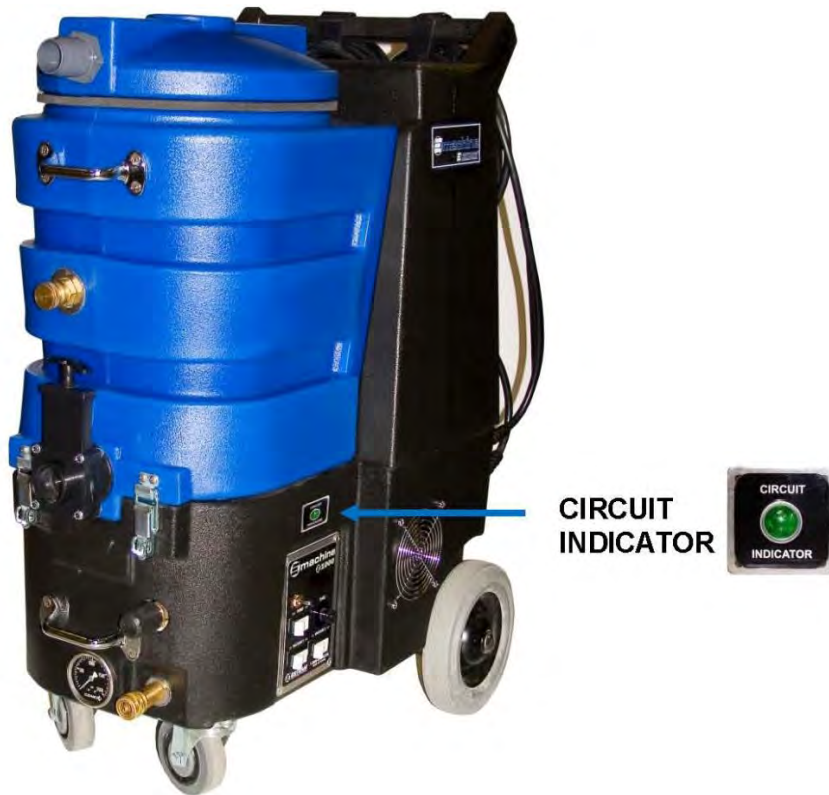
1000 PSI PUMP KITS



E1200 WIRING



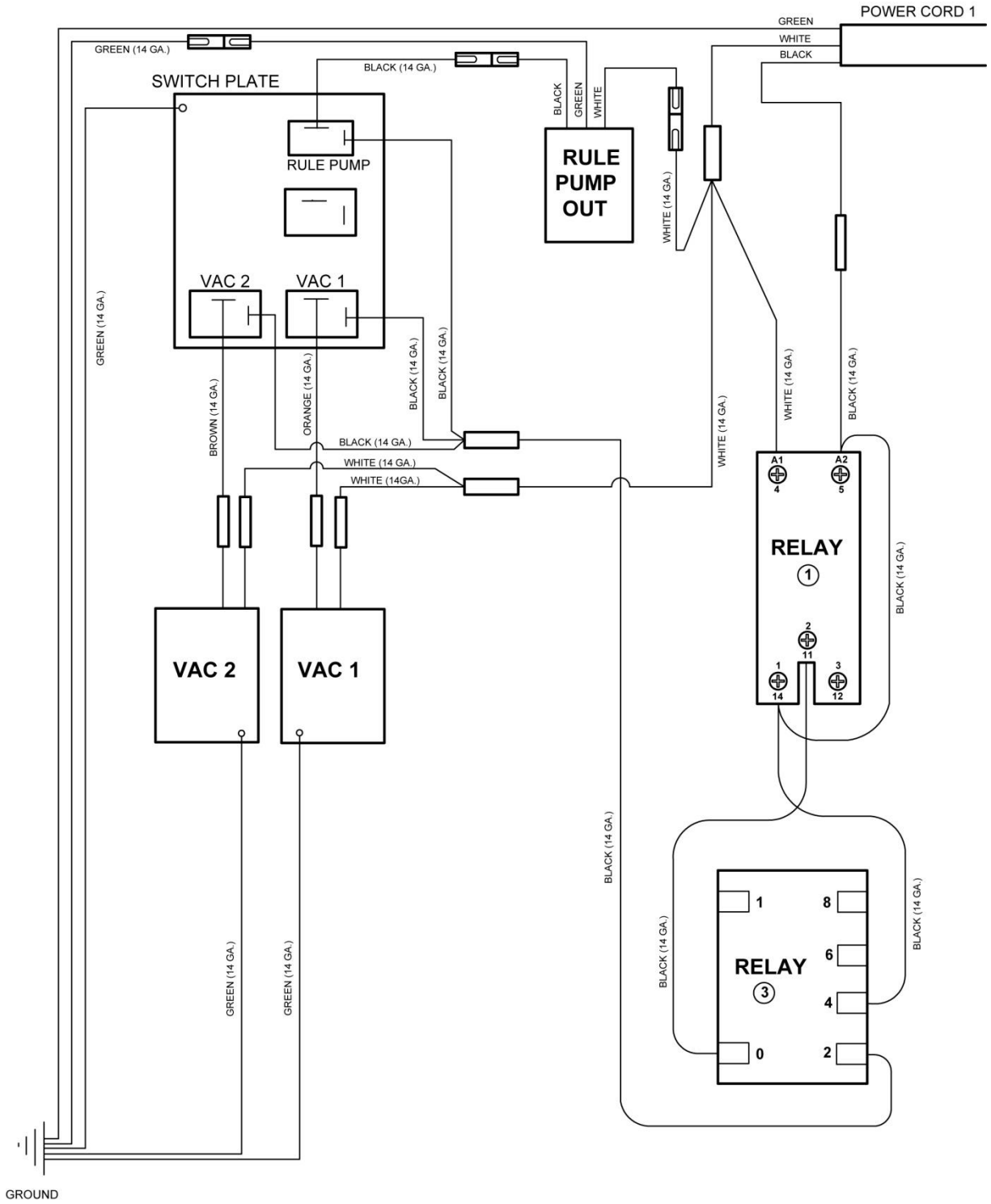
E1200 MODEL W/ OPTIONAL CIRCUIT INDICATOR



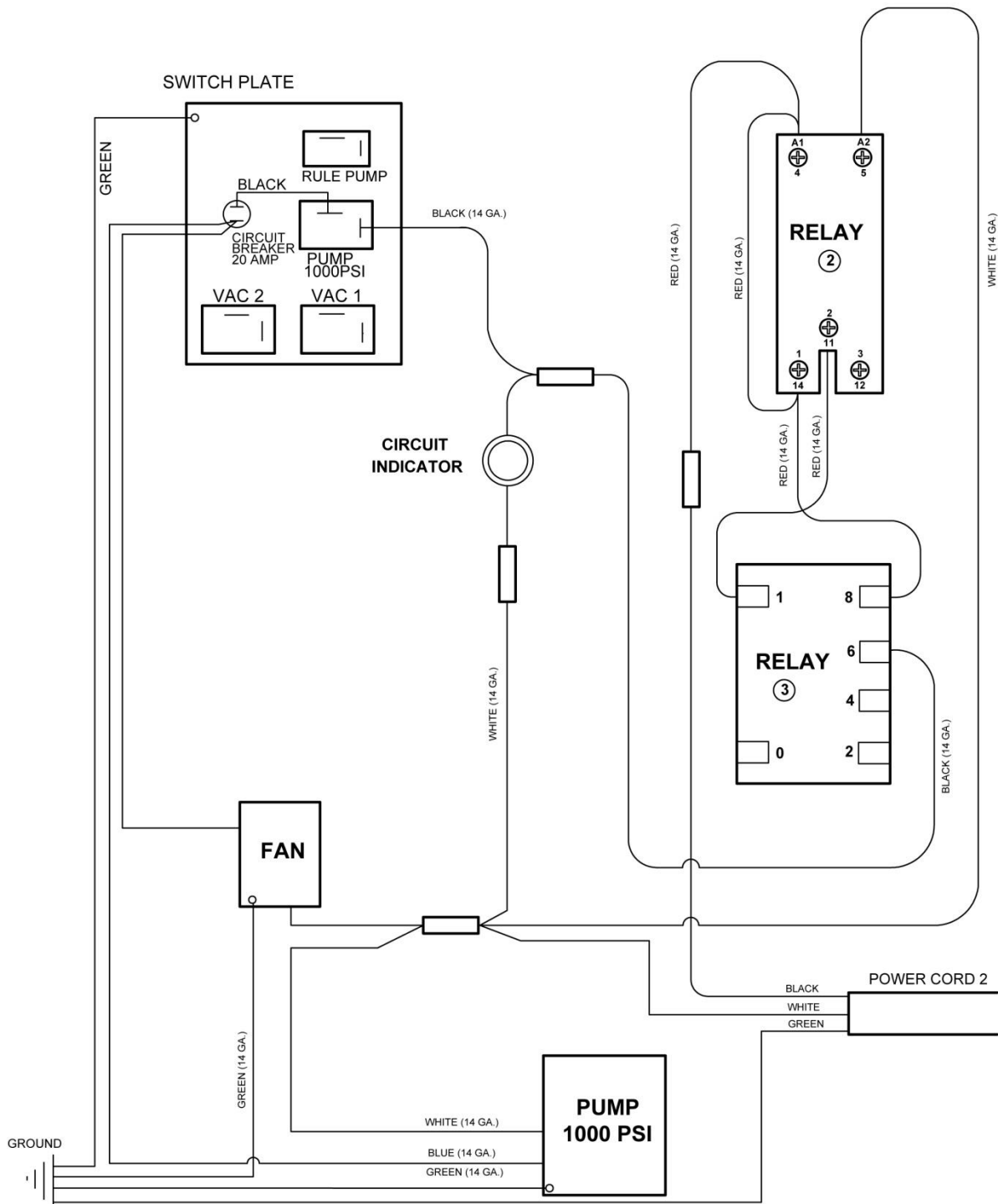
CIRCUIT INDICATOR PARTS LIST

| REF | PART NO. | DESCRIPTION | NOTES: |
|-----|----------|---------------|--------|
| 1 | 845-036 | Plate | |
| 2 | 320-111 | Lamp | |
| 3 | 305-057 | Relay 120V | |
| 4 | 305-058 | Socket | |
| 5 | 305-059 | Relay 240V | |
| 6 | 703-108 | Decal | |
| 7 | 465-045 | Relay Bracket | |

E1200 W/ OPTIONAL CIRCUIT INDICATOR WIRING PAGE 1



E1200 W/ OPTIONAL CIRCUIT INDICATOR WIRING PAGE 2





WARRANTY REGISTRATION / DELIVERY ACCEPTANCE

This form must be completed and returned to Esteam Cleaning Systems to activate your warranty.

Esteam would like to take this opportunity to point out a few operating and safety recommendations for your consideration.

* All units cords have a ground plug pin for your safety, never remove or operate any equipment if the ground pin on the plug has been removed.

* Defoamer is to be used in all machines. Improper use of chemicals will void warranty. Drycleaning solvents cannot be used in any Esteam extractors.

* Do not over fill recovery tanks as this will damage the vacuum motors. Vacuum motors showing any signs of moisture contamination will not be covered under warranty.

Model # _____ Serial # _____

Name: _____

Address: _____

City: _____ Province/State: _____

Postal Code/Zip: _____ Date of Purchase: _____
Month / Day / Year

Purchased From: _____

By signing this form I _____, accept the terms and conditions of the warranty.
(print)

I have been fully instructed in the safe operation and use of this equipment.

Signed: _____ Date: _____

Mail Warranty Registration / Delivery Acceptance to:

Esteam Manufacturing Ltd.
3750-19th Street NE
Calgary, Alberta, Canada
T2E 6V2

Or Fax to:
(403) 291 - 0546

ESTEAM® CLEANING SYSTEMS

E1200 EXTRACTOR WARRANTY

NOTICE: REVIEW THIS WARRANTY CAREFULLY AS THIS DOCUMENT CONTAINS LIMITATIONS AND EXCLUSIONS.

PART I:

Esteam Manufacturing Ltd. (hereinafter referred to as "Esteam") warrants each new E1200 Extractor, subject to the limitations as defined in the specific details of its warranty coverage defined below.

LIMITED LIFETIME HOUSING WARRANTY COVERAGE:

Esteam warrants the E1200 Polyethylene Machine Housing Unit to be free from defects in material and workmanship (including cracking, leaking or deterioration) for the life of the unit, expressly subject to the limitations stated herein.

In the event a defect occurs in a E1200 Housing Unit within five years of receipt by the original customer, Esteam will, if satisfied on its examination that the failure is due to defective material or workmanship, repair or replace the E1200 Housing Unit, at no cost to the original customer, other than as maybe provided for in this warranty.

In the event a defect occurs in a E1200 Housing Unit subsequent to five years (and thereafter for life) of receipt by the original customer; Esteam will, if satisfied on its examination, that the failure is due to defective material or workmanship, provide to the original customer only, a new Housing Unit, at 50% of the then published retail pricing basis, used by Esteam.

90 DAY LIMITED WARRANTY COVERAGE:

Esteam warrants all switches, vacuum hoses and solution hoses to be free from defects in material and workmanship, for any defect occurring within 90 days of receipt by the original customer of the E1200 Extractor; and further subject to the limitations stated below.

12 MONTH WARRANTY COVERAGE:

Subject to the Limited Lifetime Warranty and the 90 Day Limited Warranty; Esteam warrants all remaining items on the E1200 Extractor to be free from defect in material or workmanship (excluding any labor charges) for a period of 12 months from date of receipt of the unit by the original customer; and further subject to the limitations stated below.

PART II - REPLACEMENT PARTS (UNDER WARRANTY)

Replacement warranty parts will be genuine Esteam parts, or parts of similar kind and quality.

All replacement warranty parts are warranted to be free from defects in materials or workmanship from the date of the original unit purchase for the balance of the original warranty period namely: 90 days, 12 months, or the Lifetime, whichever is applicable; all in accordance with the terms of Part I, of this warranty.

PART III - LIMITATIONS ON WARRANTY COVERAGE

WHAT IS NOT COVERED:

Notwithstanding any other term or covenant of Esteam contained herein, the following provisions shall apply:

- (i) No warranty is provided for any Esteam product which has failed as a result of freezing, fire, misuse, alteration, improper amps or voltage, accidental damage, improper maintenance, unauthorized repairs, alterations, abuse, neglect or operation of a Esteam product not expressly recommended or contemplated by Esteam; and
- (ii) No warranty is provided for mechanical or electrical breakdown caused by scale, hard water buildup, improper use of chemicals or resins, damage due to environmental conditions, and acts of God, or other events beyond the control of Esteam; and
- (iii) No warranty is provided for mechanical or electrical breakdown or failure of an Esteam product resulting from ordinary wear and tear, or the consequences thereof; including but not limited to the gradual reduction of the operating performance of the product. The determination of what is or is not ordinary wear and tear is at the sole discretion of Esteam; and
- (iv) No warranty is provided for damage caused by the failure of non-warranted parts and/or accessories, even if warranted parts are damaged as a result of the failure of a non-warranted part; and
- (v) No warranty is provided for damage resulting from failure by the customer to maintain scheduled maintenance requirements. The Esteam system has many parts which must either be replaced or checked for wear on a regular basis; including but not limited to replacement filters and lubricants. This system requires regular maintenance, service and attention by the customer; and
- (vi) No warranty is provided as to any extra expenses incurred by the customer, including but not limited to economic, incidental, consequential loss or damage (e.g. all labor charges, rental equipment, down time, lodging, commercial or business loss of any nature or kind due to product failure); whether direct or indirect, exemplary or punitive damage or loss, and whether in contract, tort or otherwise; and

- (vii) No warranty is provided as to failure of any cosmetic item or finish, labeling, silk screening, decals, paint, trim or other similar decorative items.
- (viii) Brass, rubber and synthetic rubber parts (e.g. "O" rings, diaphragms, gaskets, seals, grommets) are considered expendable in normal use, and are therefore not included in any warranty by Esteam.

PART IV - EXCLUSION OF LIABILITY

Esteam makes no warranties or representations, either expressed or implied, oral or written, in fact, or by operation of law, or otherwise, except as expressly stated herein as to the 90 day Limited, 12 month and Lifetime Extended warranties. Esteam, its officers, directors, agents, dealers and its affiliates (and their respective officers, directors, agents and dealers) shall not be liable to the customer nor to any party for any liability, including without limitation, strict liability, liability for loss, injury or damage due directly or indirectly to the use or operation of the Esteam product; consequential, exemplary and/or punitive damage or loss, whether in contract, tort, or otherwise.

PART V - RETURN GUIDELINES

Defective items must be replaced through a local Esteam Distributor. Replacement parts will be sent via prepaid regular ground service to the distributor. The defective part must be returned F.O.B. factory within 30 days including a letter providing the machine's serial number, date of purchase, material return authorization number, and customer name. If applicable, credit will be issued after the item has been evaluated by Esteam. Failure to comply with return policy will void the warranty on that item.

PART VI - CREDIT POLICY

All customers purchasing parts through an Esteam distributor must arrange credit directly with that distributor.

PART VII - OUTSIDE SOURCE WARRANTY REPAIRS

At the sole discretion of Esteam, it may be necessary to perform warranty/repairs at an outside source. An estimate must be submitted to and approved by Esteam prior to work being performed. Failure to do so will result in denial of your warranty claim.

PART VIII - TRANSFERABILITY

This warranty is not transferable to any subsequent owner.

PART IX - NOTICE - CUSTOMER OBLIGATIONS

- (i) Your responsibility as a customer includes but is not limited to cleaning, lubricating, seasonal maintenance (e.g. winterizing), replacement of worn parts and all regular scheduled or unscheduled maintenance.

- (ii) Any claim for warranty must be presented to Esteam or its authorized dealer, prior to the expiration of the time limitations specified and not thereafter, otherwise any warranty is void.
- (iii) Notwithstanding the generality of the foregoing customer obligations, Esteam does hereby bring to the attention of the customer, these specific maintenance operating requirements of the E1200 Extractor to validate its warranty:

- (a) Chemical Warning:

Any improper use of chemicals shall void any Esteam warranty and thusly exclude any liability by Esteam. No dry cleaning chemical may be used in a E1200 Extractor; - as any such use may result in fire or pump/motor damage. A defoamer solution must be used by customer to limit foaming in the recovery tank.

- (b) Vacuum Motors:

Require use of a defoamer. A vacuum motor showing moisture contamination on interior components shall void any warranty by Esteam.

- (c) Pumps:

All pumps require daily flushing with clean water after use.

Further on the 1000 PSI Pumptec pump, a 20 AMP fuse is used to protect this motor; and the pressure regulator must not be tampered with to exceed a higher operating pressure than the 1000 PSI maximum allowed.

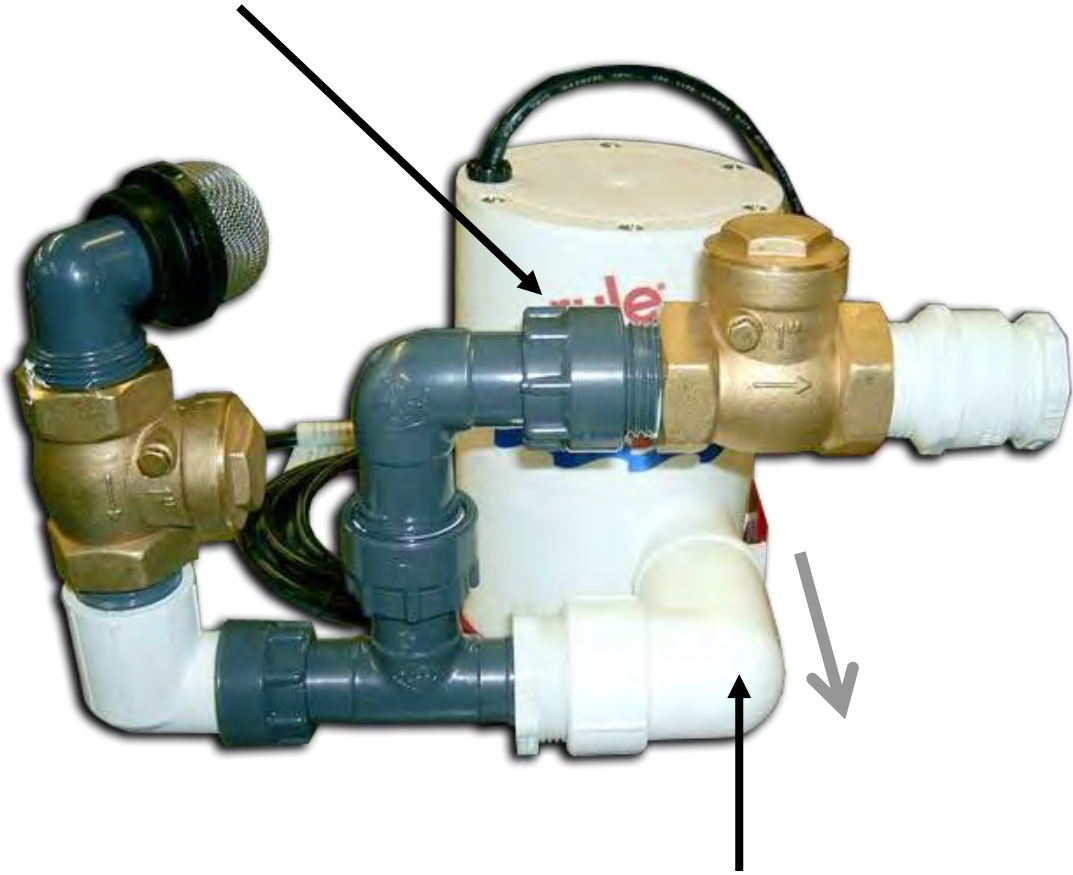
The foregoing constitutes Esteam's entire warranty and no other warranty, liability, contingency or responsibility, direct, indirect, consequential or in any other way connected with the sale or operation of Esteam machines or chemical product is expressed or implied.

E1200 Extractor Warranty
Esteam Manufacturing Ltd. 3750-19th Street NE
Calgary, AB T2E 6V2 1-800-653-8338

E1200

Pump out cleaning procedure

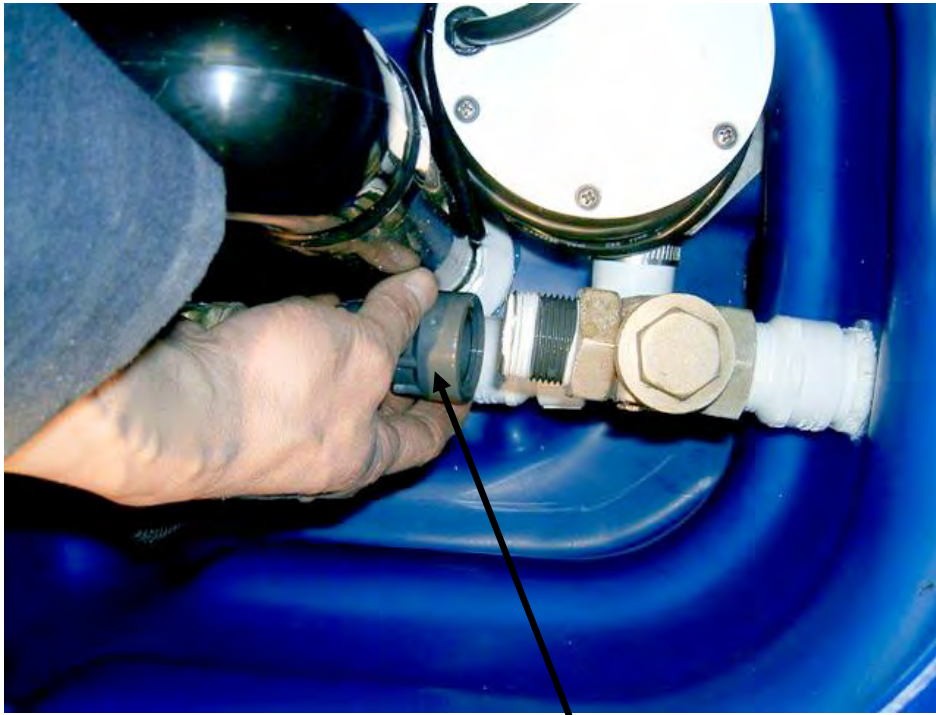
**UNDO THIS UNION BY TURNING
COUNTER CLOCK - WISE**



**THIS 90 DEGREE FITTING SIMPLY POPS OFF
THE PUMP WITH A SLIGHT TUG.**



**YOU MAY NEED TO LOOSEN UNION WITH CHANEL LOCK
PLYERS BY TURNING COUNTER CLOCK - WISE**



**SPIN UNION NUT COUNTER CLOCK - WISE TO SEPARATE
FROM BALANCE OF FITTINGS**



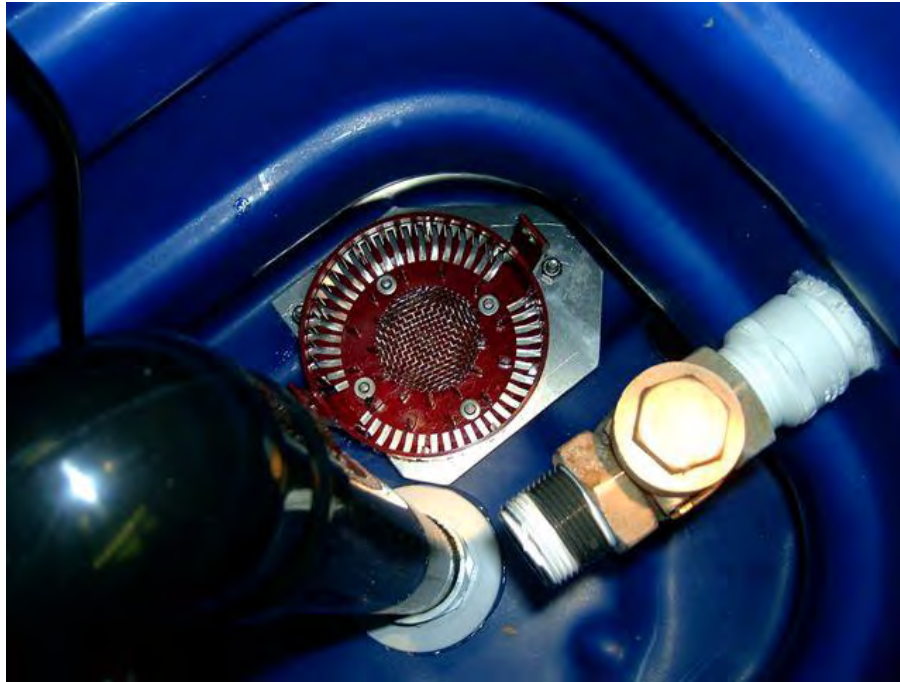
**GIVE PLUMBING ASSEMBLY A SLIGHT TUG
TO DISENGAGE FROM PUMP**



PLUMBING ASSEMBLY REMOVED



**PRESS IN RED CLIPS AND LIFT PUMP OFF
RED STRAINER**



PUMP REMOVED FROM STRAINER CAGE



**S.S. SCREEN LIFTS OUT OF STRAINER CAGE
TO BE CLEANED**