

## Owner's Manual HVE3000 Flood Pumper and Inline Booster

F479

**LEGEND BRANDS, INC.**

15180 Josh Wilson Road

Burlington, WA 98233

Phone: 800 932 3030

<https://www.legendbrandsrestoration.com/>

The high-efficiency HVE3000 can be used both as a flood pumper to quickly remove excess liquid water for flood remediation and as an inline truckmount booster to extend the effective vacuum hose length for carpet extraction and cleaning.

Patents: <http://www.LBpatents.com>

### READ AND SAVE THESE INSTRUCTIONS

#### SAFETY INSTRUCTIONS



**WARNING! Do not alter or modify your HVE3000 in any way. Use only replacement parts authorized by Legend Brands, Inc. Modifications or use of unapproved parts could create a hazard and will void your warranty. Contact your authorized Dri-Eaz distributor for assistance.**

**WARNING! Electric shock hazard, vacuum impeller, and hot surface hazards.**

Do not leave appliance when plugged in. Unplug from outlet when not in use and before servicing.

Do not allow to be used as a toy. Close attention is necessary when used by or near children.

Do not pull or carry by cord, use a cord as a handle, close a door on a cord, or pull a cord around sharp edges or corners. Do not run appliance over cords. Keep cords away from heated surfaces.

Do not unplug by pulling on cord. To unplug, grasp the plug, not the cord.

Do not handle plug or appliance with wet hands.

Do not put any object into openings. Do not use with any opening blocked; keep free of dust, lint, hair, and anything that may reduce air flow.

**To protect your valuable equipment and prevent voiding the warranty, read and follow these instructions:**

#### 1. HEPA Filter Use and Foam Control

- Install HEPA filter when HVE 3000 is used on Category 3 restoration jobs or where quieter operation is preferred
- Remove and discard filter at the end of all Category 3 restoration jobs
- Replace the HEPA filter if it gets wet during operation
- On all other jobs, we recommend operating the unit without the HEPA filter in place. Hearing protection is recommended when the filter is not in place
- Use defoaming chemicals whenever foam is present in the waste tank
- If foam/water is pulled through the vacuum blowers, remove hose/wand and run blower unit for 5 minutes to dry out the system prior to storing

**Failure to follow these instructions can damage the vacuum system and will void the warranty**

#### 2. Maintenance

- Replace vacuum blower brushes after 800 hours of operation (see Fig. E).

Turn off all controls before unplugging.

Use extra care when cleaning on stairs.

Do not use to pick up flammable or combustible liquids, such as gasoline, or use in areas where they may be present.

Connect to properly grounded outlets only. See **Grounding Instructions**, below.

Use indoors only.

Store indoors only, and protect from freezing.

Do not expose to rain or snow.

**Secure each power cord into IEC receptacles on handle before use. Do not operate without cords locked into place.**

## GROUNDING INSTRUCTIONS

---

This appliance must be grounded. If it should malfunction or break down, grounding provides a path of least resistance for electric current to reduce the risk of electric shock. This appliance is equipped with cords having equipment-grounding conductors and grounding plugs. The plugs must be inserted into an appropriate outlet that is properly installed and grounded in accordance with all local codes and ordinances.

**WARNING! Improper connection of the equipment-grounding conductor can result in a risk of electric shock. Check with a qualified electrician or service person if you are in doubt as to whether the outlets are properly grounded. Do not modify the plugs provided with the appliance – if the plugs do not fit the outlets, have proper outlets installed by a qualified electrician.**

This equipment is for use on a circuit having a nominal rating no more than 120V and is factory-equipped with a specific electric cord and plug to permit connection to a proper electric circuit. Make sure that the appliance is connected to outlets having the same configuration as the plugs. No adaptor should be used with this appliance. If the appliance must be reconnected for use on a different type of electric circuit, the reconnection should be made by qualified service personnel.

## HANDLE THE UNIT CAREFULLY

Always operate the unit on a stable, level surface. Do not drop or place where it could fall. Rough treatment can damage the unit, and may create a hazardous condition or void the warranty.

This unit intended for household and commercial use.

## BEFORE YOU BEGIN

---

### Warranty registration

Visit [Warranty.LegendBrandsRestoration.com](http://Warranty.LegendBrandsRestoration.com) to register your purchase. Registration allows us to better assist you with using, maintaining or servicing your equipment, as well as to contact you in case we have important safety information concerning this product. If you determine service is required, have your equipment model, serial number and original proof of purchase available and call your distributor for assistance with obtaining a return material authorization (RMA).

## INTRODUCTION

---

The HVE3000 is a **portable flood pumper** intended for commercial use. It can be teamed with an extraction tool to remove water quickly and effectively from flooded structures. It is ideal for use in large spaces or multi-level units like hotels, schools, hospitals, factories, offices, and homes.

The HVE3000 can also be used as an **inline booster and prefilter** with a truckmount extractor to provide additional vacuum pressure on long hose runs. Read this Owner's Manual carefully to learn how to properly operate your HVE3000. Improper use of the machine may create hazardous conditions and may void the warranty.

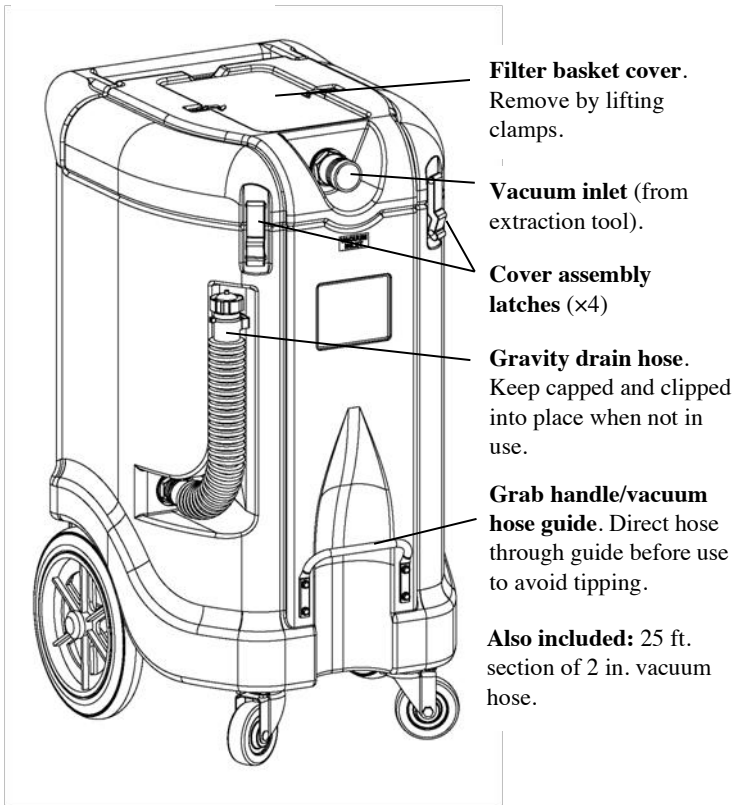
## CONTENTS GUIDE

---

<b>Parts identification</b> .....	3
<b>Extraction mode setup</b> .....	4
<b>Truckmount booster setup</b> .....	4
<b>Maintenance</b> .....	5
<b>Specifications</b> .....	10

# PARTS IDENTIFICATION

**FIG. A: FRONT**



**FIG. B: REAR**

**Handle**

**Vacuum outlet.** Connect to truckmount for use as booster. Keep capped when not in use.

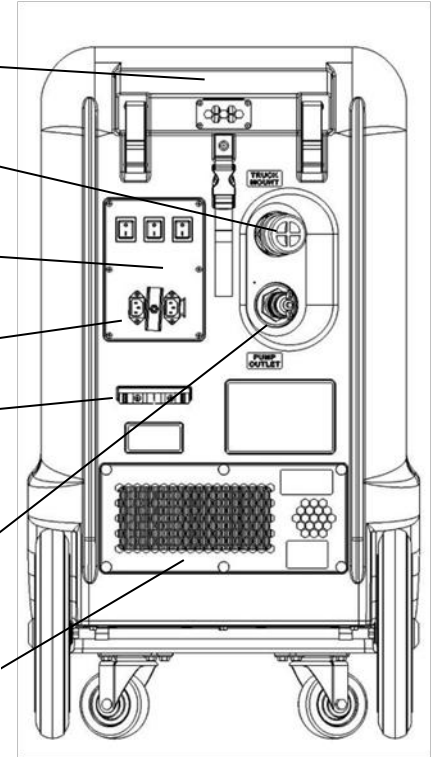
**Control panel and power cord sockets.** Details in Fig. C.

**Power cord lock.** Secures plugs in sockets.

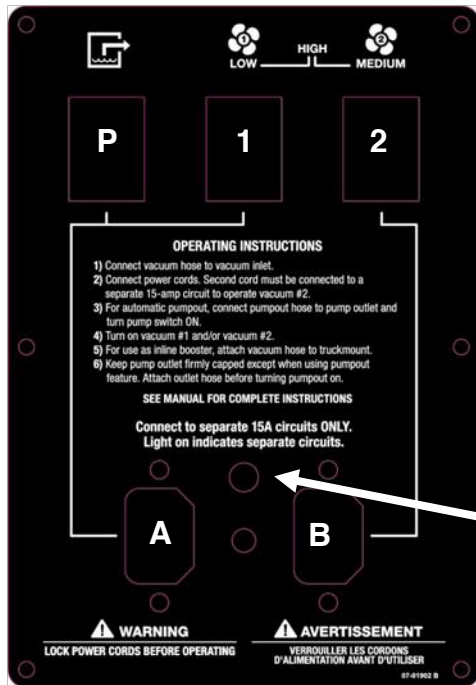
**Power cord retention clips.** Secure cord(s) here while using the unit.

**Automatic pumpout drain outlet.** Fitted with a 1½ in. outlet. To use a garden hose, replace with the supplied ¾ in. fitting. Keep capped when not in use.

**HEPA exhaust filter grill.** Thumbscrews allows easy filter replacement.



**FIG. C: CONTROL PANEL DETAIL**



**IMPORTANT! BEFORE FIRST USE:**

The grab handle/vacuum hose guide (see Fig. A) is shipped inside the filter basket (Fig. D). Remove the guide from the basket and install it as shown using the four screws provided. Do not overtighten the screws. The unit is now ready to be set up as an extractor or booster. Two Velcro straps are also enclosed in the filter basket (Fig. D). Use these straps to secure the extractor hose when not in use.

## EXTRACTION MODE SETUP

Remove water quickly and effectively from flooded structures.

**1) Remove the HEPA filter** when performing Category 1 or 2 restoration jobs. The HEPA filter is intended for use only with Category 3 jobs.

**2) Connect vacuum hose to vacuum inlet.**

**3) Connect one or two power cords depending on job requirements. The second cord must be connected to a separate 15 amp circuit.**

**NOTICE:** The power cords of the HVE3000 should be plugged into separate GFCI-protected 115 volt outlets rated for at least 15 amps. Always plug the cord firmly into the base of the unit first and secure the cord into the cord clip.

**NOTICE:** Connect to two separate 15A circuits ONLY. A bright green light indicates correct connections. No light will show when using only one cord.

**3) For automatic pumpout,** connect hose to pumpout outlet to pump outlet and turn pump switch ON. Do not use anything smaller than a 3/4 in. hose, and ensure there are no kinks in the hose. For increased pumpout performance, see “Maximizing Pumpout Performance,” p. 5.

**NOTICE:** Before turning the pump on, attach a drain hose and place the end in an approved drain. Check with local authorities for proper wastewater disposal. Operating the pump without a drain hose in place may cause injury.

**NOTICE:** Avoid contact with water draining from the pump outlet. Water is pressurized and may exit the unit with force. Water may contain chemicals or contaminants that can be a health hazard upon contact.

**4) Turn on vacuum pump(s) to LOW, MED or HIGH.**

The machine can operate with either one or both vacuum pumps running. For maximum vacuum performance, turn on both Vacuum Pump 1 and Vacuum Pump 2.

**For use as truckmount extraction booster, see “Booster Mode” below.**

**NOTICE: Keep truckmount outlet capped when not in use.**

### EXTRACTION OPERATION TIP

**Place the HVE3000 as close as possible to the end of the hose run nearest the wand or other extraction tool. This position will maximize the vacuum boost provided by the unit.**

## TRUCKMOUNT BOOSTER SETUP

Use in conjunction with a truckmount extractor to provide additional extraction power. **The HVE3000 has been tested to boost vacuum on hose runs as long as 300 ft. (90 m). To maximize performance, we recommend using the shortest runs as possible.**

**NOTICE:** Do not attempt to operate the unit with a truckmount producing vacuum pressures greater than 12 in. Hg (164 in. H<sub>2</sub>O). Doing so could damage the unit and will void the warranty.

**NOTICE:** Do not operate with water temperatures exceeding 140° F (60° C). Doing so could damage the unit and will void the warranty.

**1) Connect vacuum hose to vacuum inlet.**

**2) Connect one or two power cords depending on job requirements.** The second cord must be connected to a separate 15 amp circuit. A green light indicates the unit has been correctly connected to separate circuits.

**WARNING:** The power cords of the HVE3000 should be plugged into separate GFCI-protected 115 volt outlets rated for at least 15 amps. Always plug the cord firmly into the base of the unit first and secure the cord into the cord clip.

**FIG. D**

Filter lid

Filter lid seal

Filter basket

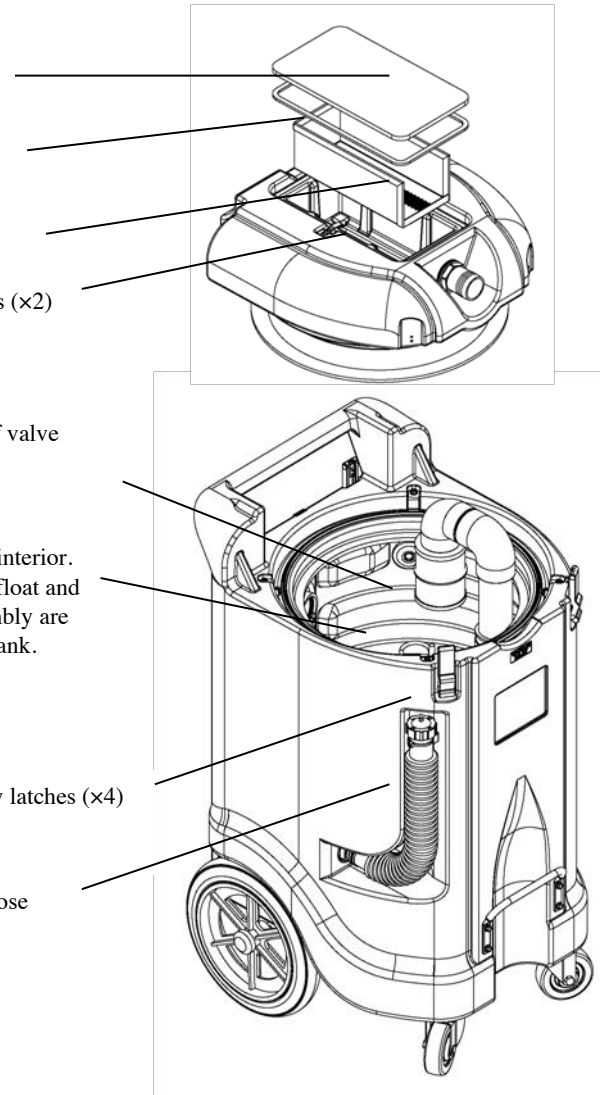
Filter lid clamps (x2)

Airflow shutoff valve assembly

Recovery tank interior.  
NOTE: Pump, float and float arm assembly are located inside tank.

Cover assembly latches (x4)

Gravity drain hose





**NOTICE:** Connect to two separate 15A circuits ONLY. A bright green light indicates correct connections. No light will show when using only one cord.

**3) Connect pumpout hose to pump outlet and turn pump switch ON.** For maximum pumpout performance, we recommend using the unit with a 1½ in outlet hose. See “Maximizing pumpout performance” below.

**4) Attach vacuum hose to truckmount via vacuum outlet.**

**5) Turn on vacuum pump(s) to LOW, MED or HIGH.** The machine can operate with either one or both vacuum pumps running. For maximum vacuum pressure, turn on both Vacuum Pump 1 and Vacuum Pump 2.

**TRUCKMOUNT BOOSTER OPERATION TIP**  
Place the HVE3000 as close as possible to the end of the hose run nearest the wand or other extraction tool. This position will maximize the vacuum boost provided by the unit.

### Maximizing pumpout performance

The sump pump outlet of HVE3000 is equipped with a 1½ in. barbed hose fitting for use with a 1½ in. drain hose (hose purchased separately). Because the internal pumpout system is plumbed with 1½ in. lines, use of a large-diameter drain hose will help to ensure maximum pumpout performance.

The HVE3000 may also be used with a standard garden hose. Simply replace the 1½ in. fitting with the ¾ in. reducer fitting supplied with your unit and attach the garden hose.

**NOTICE:** Before turning the pump on, attach a drain hose and place the end in a suitable drain. Operating the pump without a drain hose in place may cause injury.

**NOTICE:** Avoid contact with water draining from the pump outlet. Water is pressurized and may exit the unit with force. Water may contain chemicals or contaminants that can be a health hazard upon contact.

### Airflow shut-off

The HVE3000 will automatically shut off airflow to the vacuum pumps when the recovery tank is full. This prevents water and debris from entering the motors. When the recovery tank becomes excessively dirty, or if there is too much foam in the tank, the float may not function properly. When the vacuum pumps emit a high-pitched whine and there is no vacuum generated, it most likely means that the ball float has engaged and that the tank is full and needs to be emptied, or that excessive foam is present. When this occurs, check the tank and empty it if necessary, and use a defoamer any time foam is present.

## MAINTENANCE

**WARNING! ELECTRIC SHOCK HAZARD.** Unplug the unit before performing any maintenance.

### Before each use

**Inspect the electrical cord for damage.** Look for fraying, cuts, etc. Do not use the unit if you find any damage. Call 800-932-3030 to locate the nearest service center.

**Check the filter basket** (Fig. D). Performance is greatly reduced when either filter is clogged.

**Use a HEPA filter** when using the unit on Category 3 jobs.

**Check the sump pump float valve** (Fig. D). Remove any clogs or obstructions to the float mechanism.

**Check the manual drain hose** for clogs or kinks.

**Check all hose fittings.** Look for cracks, debris, and damaged threads or seals.

**Check ball float valve.** Ensure cover screen is clean. **If foaming occurs,** place a defoamer cake in the tank.

### After each use

**Clean filter basket and top cover.** Release cover clamps, remove the cover, and lift out basket. Rinse basket, basket basin, and cover with water to clean. (Clean also as needed during use.)

**Remove and discard HEPA filter** if it is wet.

**Remove and discard HEPA filter** at the end of all Category 3 restoration jobs

**Operate unit for 5 minutes** with no filter in place to dry out vacuum pump.

**Clean recovery tank, float valve, and airflow shutoff valve.**

1. Release four cover assembly latches and lift off cover assembly (see Fig. D). With gravity drain hose directed into a suitable drain, remove any accumulated debris and wash recovery tank interior with an all-purpose detergent. Rinse interior with fresh water. Allow the unit to drain completely through the gravity drain hose.

2. Slide airflow shutoff ball valve assembly downward off of the vacuum standpipe (Fig. D; see also “Remove float ball assembly,” p. 7). Rinse valve assembly clean. Make sure the float ball moves freely inside the cage and is free of any debris. Replace ball valve assembly.

3. Wipe off pump, float, float arm assembly and tank interior with a damp cloth. Allow tank interior and cover assembly to dry completely before replacing the cover assembly.

**To maintain appearance,** wipe interior and exterior surfaces with a damp cloth. For deep cleaning and to add a protective shine to the exterior, use an automotive interior treatment product.

## Monthly

Use an **all-purpose silicone spray** to lubricate wheels, castors and latches. Take care to wipe up any excess spray, as it may create slippery surfaces.

## As needed

**Replace HEPA filter.** Discard HEPA filter after each use and/or when visibly dirty. The HEPA filter is intended for use only with Category 3 restoration jobs. Sold in packs of four. Ask for Dri-Eaz part no. F503.

## Pump Inspection and service 1000 hrs

### Tools required

- 3/8 in. nut driver or socket with a 6 in. extension and a ratchet.
- 3/32 in. socket
- 15/16 in. open end wrench
- Short handled screwdriver

Remove the cover assembly and inspect the recovery tank for any remaining water. If necessary, wipe out the tank with a towel.

Loosen hose clamp on float valve assembly and slip off assembly.

Loosen cord clamp on inside wall of tank with the 15/16 in. wrench, and pull in approximately two feet of cord or until the cord shows resistance.

## Special Maintenance Tasks

To ensure proper operation, we recommend the following maintenance based on hours of use. In excessively dusty or dirty conditions, it may be necessary to perform these tasks more frequently.

**Vacuum pump motor brush replacement 800 hrs**  
Order the motor brush replacement kit, Dri-Eaz part no. S506. Complete instructions begin on p. 10.



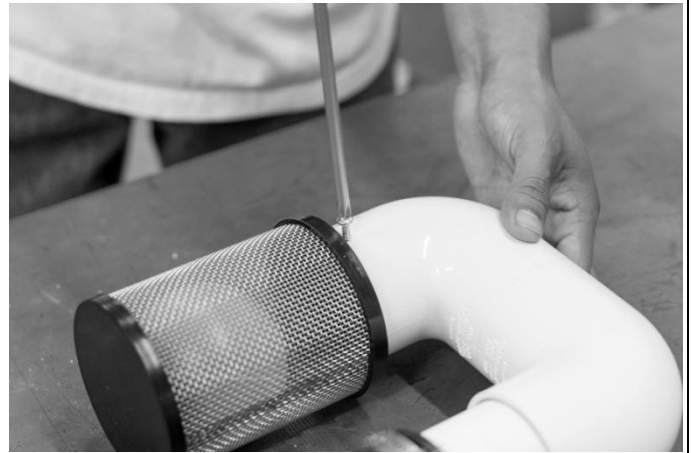
### Remove float ball assembly.

Note: It is not necessary to remove the float ball assembly to access the pump. However, we recommend removing the assembly and cleaning it every time you inspect and clean the pump.

To remove the float ball assembly, loosen lower the hose clamp on the float ball assembly and remove assembly.



If you are servicing the float ball assembly, use a Philips screwdriver to remove the float ball housing retaining screw and remove the float ball housing. Rinse all components clean and ensure float ball moves freely inside housing. Reinstall float ball housing.



Loosen upper pump outlet hose clamp and pull the hose off the outlet.



Using the 3/8 in. socket, Remove bolts on both ends of the cross-brace. Lift off brace.



Inspect float assembly. Check float and float shaft and float switch arm for smooth operation. Clean as necessary.



Fold up the pump handle and lift out the pump for inspection. Rest the pump on a table or other stable surface placed next to the unit. There is no need to disconnect the wire harness.



Using a Philips screwdriver, remove the pump intake cover retention screw and the plate from the bottom of the pump. Clean off any debris from intake area. Replace plate when finished.



Wipe out tank with a clean rag.



### **Reassembly**

Lower pump back into bottom of tank and fold handle down. Ensure that the pump feet are fully seated.

Replace pump retention bracket.

Push excess power cord back through cord grip and retighten cord grip. The cord should be slack, but should not hang down and interfere with the operation of the float or the float arm assembly.

Reinstall the float ball assembly.

Replace the cover assembly.

The unit is now ready to use.

## Vacuum pump motor replacement

### Tools and parts required

3/8 in. socket with a 6 in. extension and a ratchet.  
Short handled screwdriver  
Motor brush replacement kit (Dri-Eaz part no. S506)

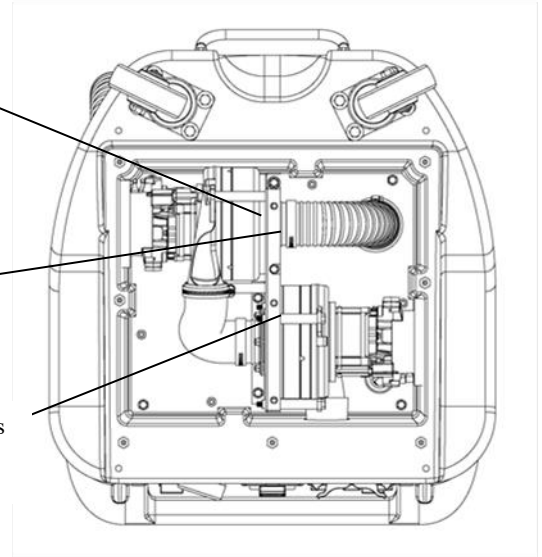
### Procedure

1. Remove the cover assembly and inspect the recovery tank for any remaining water. If necessary, wipe out any remaining water with a towel. Replace the cover assembly.
2. Place the unit upside-down.
3. Using a 3/8 in. socket and ratchet, remove the ten screws from the bottom cover and lift off the bottom cover and wheel assembly. Set aside.
4. Loosen the Vac 1 inlet hose clamp using a screwdriver and pull off the hose.
5. Continue with the instructions relevant to your unit. The serial number is printed on the name plate located near the pumpout outlet on the back of the unit.  
**Units with serial nos. 1001–1089** should follow these additional instructions: 5a) Remove the three bolts and spacer sleeves on Vac 2. 5b) Lift out out the Vacuum pump. Now continue with Step 6.  
**Units with serial nos. 1090 and higher** should continue with Step 6.
6. Using a 3/8 in. socket with a 6 in. extension and a ratchet, remove the four bolts that hold the motor assembly plate in place.
7. Lift out blower motor assembly. Take care not to damage the foam rings used to seal the motor cover to the housing wall. It is not necessary to remove the motors from the plate.

Blower plate assembly.  
Secured to base plate with 4 bolts.

Vac Blower 1 inlet hose and hose clamp.

Vac Blower 2 bolts and spacer sleeves (x3).



**For instructions on inspecting and replacing motor brushes, see next page.**

### Reassembling

*Serial nos. 1001–1089 ONLY:*

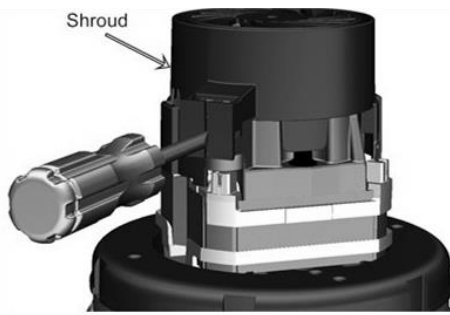
Using the three bolts and spacer sleeves, reinstall Vac 1 on to the motor assembly plate.

**ALL UNITS:**

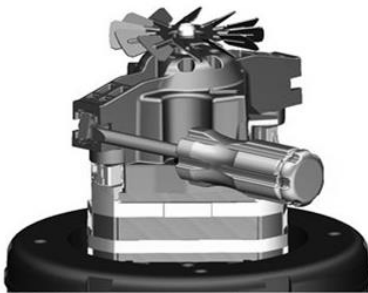
1. Insert the vac motor assembly into place.
2. Reinstall the four motor assembly plate bolts.
3. Reinstall the Vac 1 hose and retighten hose clamp.
4. Check electrical connections. Make sure each connection is firmly seated over the spade.
5. Replace bottom cover and wheel assembly and return the unit to an upright position. The unit is now ready for use.



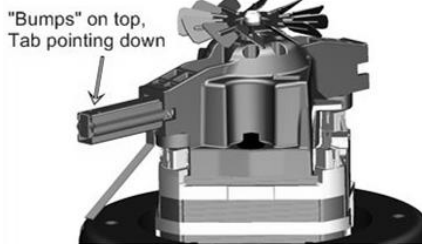
## FIG. E: Replacing motor brushes



1. Using a small flat tip screwdriver, CAREFULLY spread plastic tabs and remove shroud.



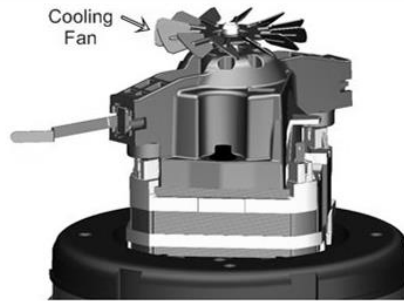
3. Using the screwdriver, bend the tab outward.



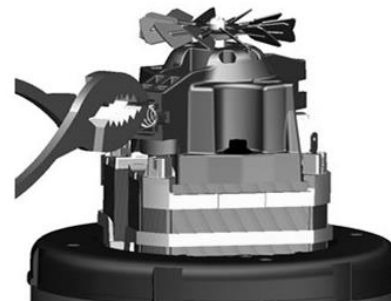
5. Lay the installation tool into the slot on top of the brush contact spring.

6. While holding the spring down with the replacement tool, slide the new brush over top of the tool, and push by hand into the bracket.

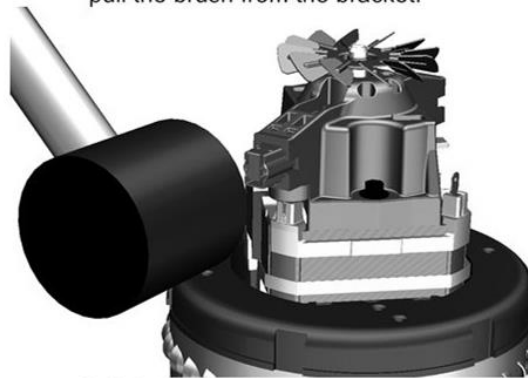
7. After new brush is past the contact spring, pull replacement tool out.



Insert long end of replacement tool INSIDE spring until it stops. If the scribe line on tool goes inside the brush tube, the brushes should be replaced.



4. Using pliers, grasp the Tab and pull the brush from the bracket.



8. Using a rawhide mallet, gently tap carbon brush until it is flush with end of the bracket.

9. Repeat steps 3-8 for the second carbon brush assembly. ALWAYS REPLACE BOTH BRUSHES.

10. Carefully replace cooling fan shroud.

## SPECIFICATIONS

Model	HVE3000 High Volume Extractor
Weight	132 lbs.   60 kg
Dimensions (H x W x D)	40.2 x 22.5 x 23.6 in. 102.1 x 57.2 x 59.9 cm
Power (115V)	12A (Blower 1 + Pumpout); 13.5A (+ Blower 2)
Tank capacity	12 gal.   45 l
Safety	Certified to CSA Std C22.2 No. 243 Conforms to UL Std 1017
Maximum performance ratings:	
Blower 1 (low blower)	8 in. Hg (108 in. H <sub>2</sub> O)
Blower 2 (high blower)	10 in. Hg (136 in. H <sub>2</sub> O)
Both blowers	12 in. Hg (164 in. H <sub>2</sub> O)
Pumpout discharge rate (1½ in. outlet)	50 gpm
Pumpout discharge rate (¾ in. outlet)	12 gpm
Specifications are subject to change without notice. Some values may be approximate.	

Be sure to visit [Warranty.LegendBrandsRestoration.com](http://Warranty.LegendBrandsRestoration.com) and register your purchase to ensure you receive any important product releases.



**⚠ WARNING:** This product and other substances that may become airborne from its use contain chemicals, including lead and phthalates, known to the State of California to cause cancer, birth defects, or other reproductive harm. For more information, go to [P65Warnings.ca.gov](http://P65Warnings.ca.gov)



# Manual del usuario

## Bomba para inundaciones y amplificador en línea HVE3000

LEGEND BRANDS, INC.

F479

15180 Josh Wilson Road  
Burlington, WA 98233

[LegendBrandsRestoration.com](http://LegendBrandsRestoration.com)

Teléfono: 800-932-3030

La HVE3000 de alto rendimiento se puede usar como una bomba para inundaciones con el fin de eliminar rápidamente el exceso de agua y solucionar las inundaciones. También se la puede usar como un amplificador en línea de equipos montados en camión para extender la longitud efectiva de mangueras de aspiración para extracción y limpieza de alfombras.

Patentes: <http://www.LBpatents.com>

### LEA Y CONSERVE ESTAS INSTRUCCIONES

#### INSTRUCCIONES DE SEGURIDAD



**¡ADVERTENCIA! No cambie ni altere su HVE3000 de ningún modo. Use solamente los repuestos autorizados por Legend Brands, Inc. Las**

alteraciones o el uso de repuestos no aprobados podrían constituir un riesgo y anularán su garantía. Si necesita ayuda, comuníquese con el distribuidor autorizado de Dri-Eaz .

**¡ADVERTENCIA! Peligro de descarga eléctrica, lastimaduras con el impulsor de vacío y con superficies calientes.**

No abandone el aparato cuando está enchufado. Desenchúfelo cuando no lo use y también antes del mantenimiento.

No permita que sea usado como un juguete. Debe prestar mucha atención cuando lo use cerca de los niños.

#### PROTEJA SU EQUIPO

Para proteger su valioso equipo y evitar la pérdida de la garantía, lea y siga estas instrucciones:

- Instale el filtro HEPA cuando se utilice la unidad en trabajos de restauración de Categoría 3.
- Retire y deseche el filtro al finalizar los trabajos de Categoría 3. Se recomienda usar protección sonora.
- Usar químicos antiespuma cuando se genere espuma en el tanque de desechos.
- Reemplace el filtro HEPA si se humedece durante el uso.
- Si ingresa agua o espuma a través de los sopladores de aspiración, retire la manguera o la vara y haga funcionar la unidad sopladora durante 5 minutos para secar el Sistema, antes de almacenarlo.

***No seguir estas instrucciones puede dañar el sistema de aspirado.***

#### Mantenimiento

- Reemplazar las escobillas del soplador de aspirado después de 800 horas de funcionamiento (Fig. E).

No tire de él ni lo arrastre usando el cable, no use el cable como manija, no cierre la puerta sobre el cable ni tire del cable alrededor de bordes filosos o esquinas. No haga funcionar el aparato sobre los cables. Mantenga los cables lejos de superficies calientes.

No desenchufe tirando del cable. Para desenchufar, sujete la clavija, no el cable.

No toque la clavija o el aparato con las manos mojadas.

No coloque ningún objeto en las aberturas. No lo use cuando alguna abertura se encuentra obstruida; manténgalo libre de polvo, pelusas, pelo y cualquier cosa que pueda reducir el flujo de aire.

Apague todos los controles antes de desenchufarlo.

Tenga especial cuidado cuando limpie en las escaleras.

No lo use para recoger líquidos inflamables o combustibles, como gasolina, ni en zonas en las cuales puede que estos estén presentes.

Conéctelo solo a enchufes con conexión a tierra adecuada. Ver instrucciones sobre conexión a tierra.

Para uso solamente en interiores.

Guárdelo solamente en interiores y protegido del congelamiento.

No lo exponga a la lluvia ni a la nieve.

**Asegure cada cable de alimentación en los receptáculos IEC de la manija antes de usarlo. No lo haga funcionar si los cables no están asegurados en su sitio.**

## INSTRUCCIONES PARA CONEXIÓN A TIERRA

Este aparato debe tener una conexión a tierra. Si funciona mal o se descompone, la conexión a tierra provee una vía de menor resistencia a la corriente eléctrica a fin de disminuir el riesgo de descarga eléctrica. Este aparato está equipado con cables que tienen conductores para conectar el equipo a tierra así como clavijas para conexión a tierra. Las clavijas se deben insertar en enchufes adecuados que están instalados y conectados a tierra correctamente según todas las normas y ordenanzas locales.

**¡ADVERTENCIA! La conexión incorrecta del conductor de conexión a tierra del equipo puede resultar en un riesgo de descarga eléctrica. Compruebe con un electricista cualificado o un personal de mantenimiento si duda de que los enchufes estén adecuadamente conectados a tierra. No modifique las clavijas proporcionadas con el aparato: si las clavijas no entran en los enchufes, haga que un electricista cualificado instale los enchufes adecuados.**

Este equipo está hecho para ser usado en un circuito que tiene un valor nominal no mayor que 120V y viene equipado de fábrica con un cable eléctrico y clavija específicos que permiten la conexión a un circuito

eléctrico adecuado. Asegúrese de que el aparato está conectado a enchufes que tienen la misma configuración que las clavijas. No se debe usar un adaptador con este aparato. Si debe volver a conectar el aparato para su uso en otro tipo de circuito eléctrico, esta conexión debe hacerla el personal de mantenimiento cualificado.

## MANEJE CON CUIDADO LA UNIDAD

Asegúrese de hacer funcionar la unidad siempre en una superficie estable y nivelada. No la deje caer, no la tire ni la coloque donde pueda caer. El tratamiento brusco, puede dañar la unidad y crear una situación peligrosa o anular la garantía.

La unidad está prevista para uso doméstico y comercial.

## ANTES DE EMPEZAR

### Registro de la garantía

Visite [Warranty.LegendBrandsRestoration.com](http://Warranty.LegendBrandsRestoration.com) para registrar su compra. El registro nos permite brindarle mejor asistencia en cuanto al uso, el mantenimiento o la reparación de su equipo y nos ayuda a comunicarnos con usted en caso de que tengamos información de seguridad importante sobre este equipo. Si considera que su equipo necesita mantenimiento, tenga a mano el modelo, número de serie y el comprobante de compra original de su equipo, y llame a su distribuidor para que lo ayude a obtener una autorización para la devolución del producto (RMA, por sus siglas en inglés).

## INTRODUCCIÓN

La HVE3000 es una **bomba portátil para inundaciones** concebida para uso comercial. Puede ser usada junto con una herramienta de extracción para eliminar agua de manera rápida y eficaz de edificios inundados. Es ideal para el uso en espacios grandes o edificios de varios niveles como hoteles, escuelas, hospitales, fábricas, oficinas y casas.

También se puede usar la HVE3000 como un **amplificador en línea y prefiltro** junto con un extractor montado en camión para proveer presión de aspiración adicional a mangueras largas.

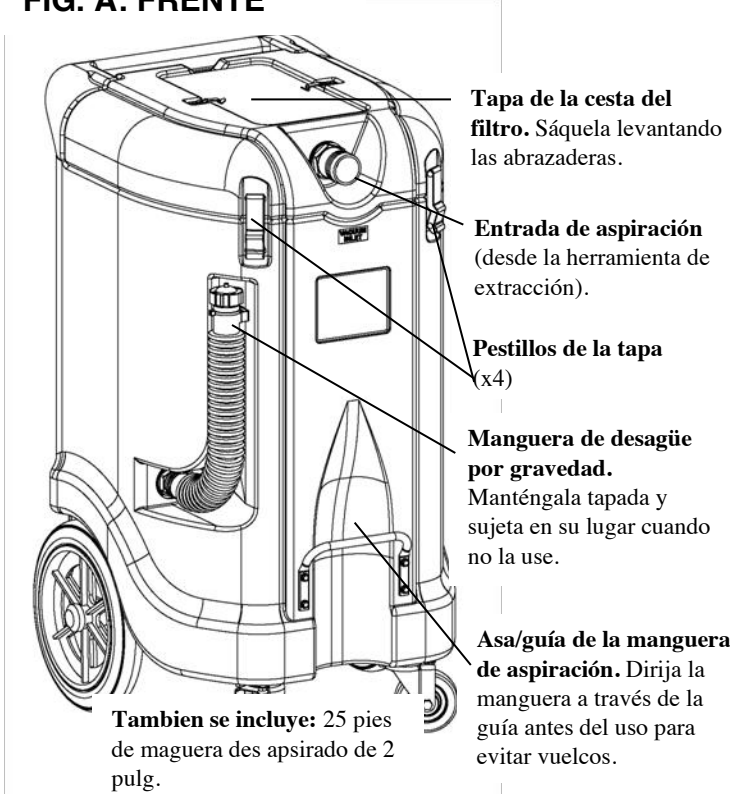
Lea cuidadosamente este manual del usuario para averiguar cómo hacer funcionar adecuadamente su HVE3000. El uso inadecuado de la máquina puede crear una situación peligrosa y anular la garantía.

## GUÍA DE CONTENIDO

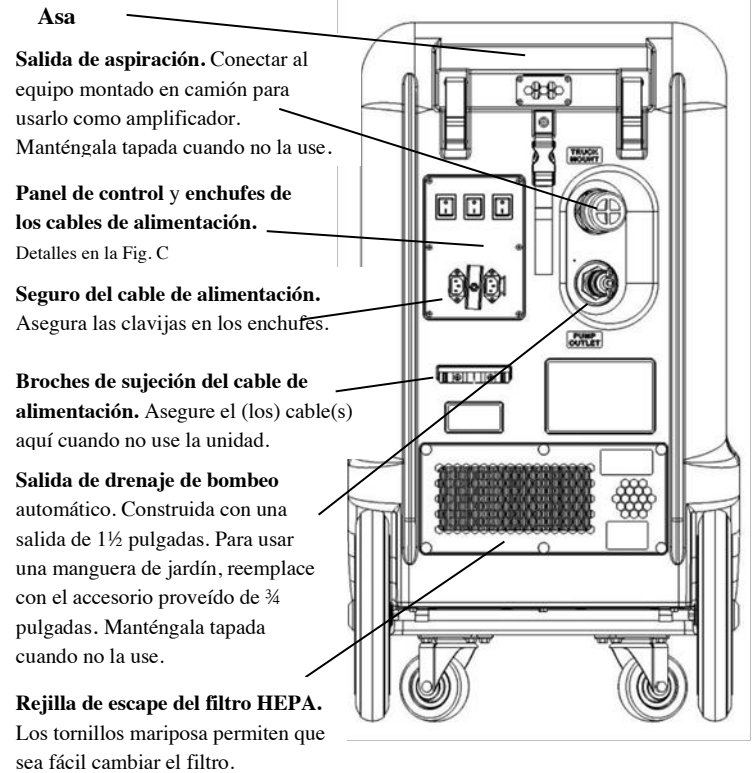
Identificación de las partes .....	15
Configuración de Extracción.....	16
Configuración de Amplificador para equipo montado en camión.....	16
Mantenimiento .....	17
Especificaciones .....	17

# IDENTIFICACIÓN DE LAS PARTES

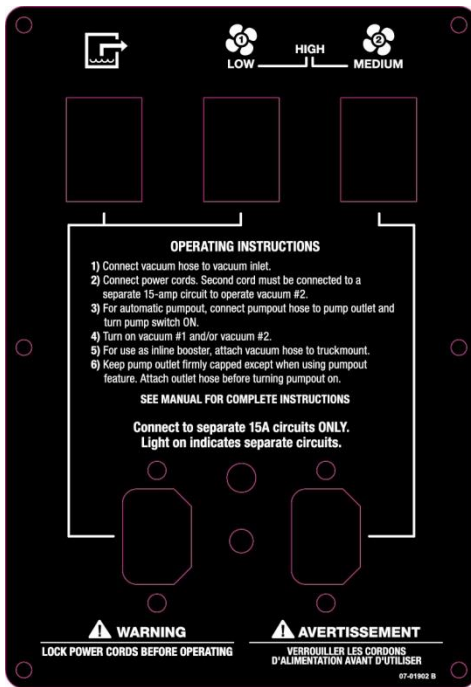
**FIG. A: FRENTE**



**FIG. B: ATRÁS**



**FIG. C: DETALLES DEL PANEL DE CONTROL**



**P: Interruptor de bombeo automático.** Enciéndalo para activar el sistema de bombeo automático. ¡ATENCIÓN! Cuando está activado el sistema de bombeo automático, la bomba de desagüe se puede encender en cualquier momento en que haya líquido en el tanque. Es posible que se expulse líquido, desde la salida de drenaje con una fuerza considerable y que cause lesiones. Sujete siempre una manguera de drenaje apropiada antes de activar el sistema de bombeo automático.

**1, 2: Interruptores de los sopladores de vacío.**

**BAJO:** Soplador 1 ON, Soplador 2 OFF. Se requiere el cable A.

**MEDIO:** Soplador 1 OFF, Soplador 2 ON. Se requiere el cable B.

**ALTO:** Soplador 1 ON, Soplador 2 ON. Se requieren los cables A y B.

**A: Enchufe del cable de alimentación** Provee electricidad a la bomba de desagüe y al soplador 1.

**B: Enchufe del cable de alimentación:** Provee electricidad al soplador 2.

**¡IMPORTANTE!** Asegure los cables de alimentación en los enchufes con el seguro.

**Luz indicadora de circuito independiente:** Irradia una luz verde brillante cuando los dos cables están conectados apropiadamente a circuitos separados. No aparece ninguna luz si: a) los dos cables están conectados al mismo circuito o b) si solo está conectado un cable. Cuando use ambos cables de alimentación, no haga funcionar la unidad a menos que se ilumine la luz verde.

**¡IMPORTANTE! ANTES DE USARLO POR PRIMERA VEZ:**

El asa/guía de la manguera de aspiración (ver Fig. A) se envía dentro de la cesta del filtro (Fig. D). Saque la guía de la cesta y proceda a la instalación como se muestra, usando los cuatro tornillos que se proveen. No ajuste demasiado los tornillos. La unidad está lista ahora para ser montada como un extractor o amplificador. Dos correas Velcro también están incluidas en la cesta del filtro (Fig. D). Use estas correas para asegurar la manguera del extractor cuando no lo use.

## CONFIGURACION DE EXTRACCION

Elimina el agua de las estructuras inundadas rápida y eficazmente.

**1) Retire el filtro HEPA** cuando se lleven a cabo tareas de restauración de Categorías 1 y 2. El filtro HEPA está diseñado para su uso sólo en trabajos de Categoría 3.

**2) Conecte uno o ambos cables de alimentación según los requerimientos de la tarea. El segundo cable debe estar conectado a un circuito independiente de 15 amperios.**

**ATENCIÓN:** Los cables de alimentación de la HVE3000 se deben conectar en enchufes independientes con interruptores de circuito con conexión a tierra de 115 volt especificados para al menos 15 amperios. Enchufe siempre el cable firmemente a la base de la unidad primero y asegure el cable en el sujetador de cables.

**ATENCIÓN:** Conectar ÚNICAMENTE a dos circuitos independientes de 15A. Una luz verde brillante indica las conexiones correctas. No habrá ninguna luz cuando se use un solo cable.

**3) Para el bombeo automático:** conecte la manguera a la salida de la bomba y gire el interruptor de la bomba a ON. No use nada más pequeño que una manguera de 5/8 pulgadas y asegúrese de que no haya torceduras en la manguera. Para un mejor desempeño en el bombeo, ver "Maximización del desempeño de bombeo" p. 17.

**ATENCIÓN:** Antes de encender la bomba, conecte una manguera de drenaje y coloque el extremo en un desagüe apropiado. Operar la bomba sin una manguera de drenaje en su sitio puede causar lesiones.

**ATENCIÓN:** Evite el contacto con el agua que sale a través de la salida de la bomba. El agua está bajo presión y puede salir de la unidad con fuerza. Puede que el agua contenga sustancias químicas o contaminantes que pueden representar un peligro para la salud si se entra en contacto con ellos.

**4) Encienda el (los) soplador(es) de vacío en BAJO, MEDIO O ALTO.**

La máquina puede funcionar con uno o ambos sopladores encendidos. Para obtener el máximo rendimiento de aspiración, encienda ambos, el soplador 1 y el soplador 2.

**Para usarlo como un amplificador de extracción para equipo montado en camión, vea "Configuración de Amplificador" más adelante.**

**ATENCIÓN:** Cuando no la use, mantenga tapada la salida correspondiente al equipo montado en camión.

### CONSEJO DE FUNCIONAMIENTO PARA

**EXTRACCION.** Coloque la HVE3000 tan cerca como sea posible del extremo de la manguera que opera más cerca de la varilla u otra herramienta de extracción. Esta posición aumentará la amplificación de aspirado proveída por la unidad.

## CONFIGURACION DE AMPLIFICADOR PARA EQUIPO MONTADO EN CAMIÓN

Use junto con un extractor montado en camión para proporcionar poder de extracción adicional. **Se ha probado la HVE3000 como amplificador de la aspiración en mangueras de una longitud de hasta 300 pies (90 metros). Para aumentar el rendimiento, recomendamos usar la longitud más corta posible.**

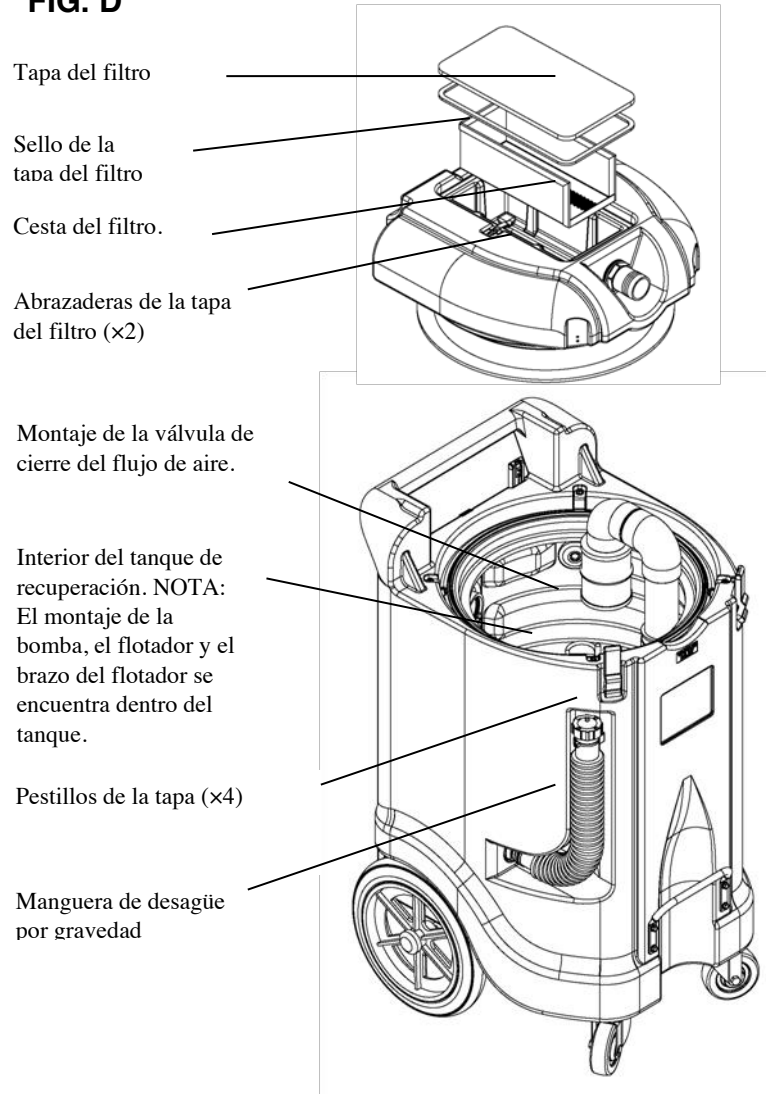
**ATENCIÓN:** No intente hacer funcionar la unidad con un equipo montado en camión que produce presiones de vacío mayores que 12 pulgadas H<sub>2</sub>O (164 pulgadas de H<sub>2</sub>O). Hacerlo podría dañar la unidad y anulará la garantía.

**ATENCIÓN:** No la haga funcionar con temperaturas de agua superiores a 140° F (60° C). Hacerlo podría dañar la unidad y anulará la garantía.

**1) Conecte la manguera de aspiración en la entrada de aspiración.**

**2) Conecte uno o ambos cables de alimentación según los requerimientos de la tarea. El segundo cable debe estar conectado a un circuito independiente de 15 amperios. Una luz verde indica que la unidad ha**

FIG. D





sido conectada correctamente a circuitos independientes.

**ADVERTENCIA:** Los cables de alimentación de la HVE3000 se deben conectar en enchufes separados con interruptores de circuito con conexión a tierra de 115 volt especificados para al menos 15 amperios. Enchufe siempre el cable firmemente a la base de la unidad primero y asegure el cable en el sujetador de cables.

**ATENCIÓN:** Conecte ÚNICAMENTE a dos circuitos independientes de 15A. Una luz verde brillante indica las conexiones correctas. No habrá ninguna luz cuando se use un solo cable.

**3) Conecte la manguera de bombeo a la salida de la bomba y gire el interruptor de la bomba a ON.** Para aumentar el desempeño en el bombeo, recomendamos usar la unidad con una manguera de salida de 1½ pulgadas. Ver "Maximización del desempeño de bombeo" más adelante.

**4) Fijar la manguera de aspiración al equipo montado en camión a través de la salida de aspiración.**

**5) Encender el(los) soplador(es) en BAJO, MEDIO O ALTO.**

La máquina puede funcionar con uno o ambos sopladores encendidos. Para obtener el máximo rendimiento de aspiración, encienda ambos, el soplador 1 y el soplador 2.

#### **CONSEJO DE FUNCIONAMIENTO PARA AMPLIFICACIÓN DE EQUIPO MONTADO EN CAMIÓN**

Coloque la HVE3000 tan cerca como sea posible del extremo de la manguera que opera más cerca de la varilla u otra herramienta de extracción. Esta posición aumentará la amplificación de aspirado proveída por la unidad.

### **Maximización del rendimiento de bombeo**

La salida de la bomba de desagüe de la HVE3000 está equipada con un conector de manguera de 1½ pulgadas adecuado para una manguera de drenaje de 1½ pulgadas (la manguera se compra por separado). Debido a que el sistema interno de bombeo está conectado a redes de 1½ pulgadas, el uso de una manguera de drenaje de mayor diámetro asegurará el máximo rendimiento de bombeo.

La HVE3000 puede usarse también con una manguera de jardín estándar. Simplemente reemplace el accesorio de 1½ pulgadas con el reductor de ¾ pulgadas proveído con la unidad y fije la manguera de jardín.

**ATENCIÓN:** Antes de encender la bomba, conecte una manguera de drenaje y coloque el extremo en un

desagüe apropiado. Operar la bomba sin una manguera de drenaje en su sitio puede causar lesiones.

**ATENCIÓN:** Evite el contacto con el agua que sale a través de la salida de la bomba. El agua está bajo presión y puede salir de la unidad con fuerza. Puede que el agua contenga sustancias químicas o contaminantes que pueden representar un peligro para la salud si se entra en contacto con ellos.

### **Cierre del flujo de aire**

La HVE3000 cerrará automáticamente el flujo de aire de los sopladores cuando el tanque de recuperación esté lleno. Esto evita que el agua y los desechos ingresen al motor. Si el tanque de recuperación está excesivamente sucio, o si hay demasiada espuma en el tanque, puede que el flotador no funcione adecuadamente. Si el soplador emite un chillido agudo y no se genera aspiración, es muy probable que la válvula de ventilación esté engranada y que el tanque esté lleno y deba descargarse, o que hay demasiada cantidad de espuma. Cuando esto ocurra, verifique el tanque y, si fuera necesario, vacíe el tanque. Use un agente antiespuma siempre que haya espuma.

## **MANTENIMIENTO**

**¡ADVERTENCIA! PELIGRO DE DESCARGA ELÉCTRICA.** Desconecte la unidad antes de realizar cualquier mantenimiento.

### **Antes de cada uso**

**Inspeccione el cable eléctrico para ver si no está dañado.** Busque desgastes, cortes, etc. No use la unidad si encuentra algún daño. Llame al 800-932-3030 para localizar el centro de mantenimiento más cercano. **Verifique la cesta del filtro (Fig. D).** El rendimiento disminuye notoriamente cuando alguno de los filtros estará obstruido.

**Use un filtro HEPA** cuando utilice la unidad en trabajos de Categoría 3.

**Verifique la válvula con flotador de la bomba de desagüe (Fig. D).** Elimine cualquier traba u obstrucción del mecanismo del flotador.

**Verifique la manguera de drenaje manual** en busca de obstrucciones o torceduras.

**Verifique todos los accesorios de la manguera.**

Busque rajaduras, desechos y fibras o juntas dañadas.

**Verifique la válvula de ventilación.** Asegúrese de que la rejilla protectora esté limpia.

**Verifique la válvula del flotador.** Asegúrese de que está limpia la pantalla de cubierta.

**Si hay presencia de espuma,** coloque una pastilla antiespuma en el tanque.

### **Después de cada uso**

**Limpie la cesta del filtro y la tapa superior.** Libere las abrazaderas de la tapa, saque la tapa y levante la cesta.

Para limpiar, enjuague con agua la cesta, la cubeta de la cesta y la tapa. (Limpie también cuando sea necesario durante el uso.)

**Retire y deseche el filtro HEPA** si se halla húmedo.

**Retire y deseche el filtro HEPA** al finalizar cualquier trabajo de Categoría 3

**Haga funcionar la unidad por 5 minutos** sin filtro para secar la bomba de aspirado.

**Limpie el tanque de recuperación, la válvula con flotador y la válvula de cierre del flujo de aire.**

1. Abra los cuatro pestillos de la tapa y levante la unidad de la tapa. Usando la manguera de desagüe por gravedad dirigida a un desagüe apropiado, elimine cualquier desecho acumulado y lave el interior del tanque de recuperación con un detergente multiuso. Enjuague el interior con agua limpia. Permita que la unidad drene completamente a través de la manguera de desagüe por gravedad.

2. Deslice el montaje de la válvula con flotador para el cierre del flujo de aire hacia abajo en relación a la tubería de aspiración (Fig. D, ver también "Sacar el montaje del flotador" p. 19). Enjuague para limpiar el montaje de la válvula. Asegúrese de que el flotador se mueve libremente dentro de la cámara y que no tiene desechos. Reinstale el montaje de la válvula.

3. Limpie el montaje de la bomba, el flotador, el brazo del flotador y el interior del tanque con un trapo húmedo. Deje que el montaje del interior del tanque y la tapa se sequen completamente antes de reinstalar el montaje de la tapa.

### **Inspección y mantenimiento de la bomba 1000 Horas**

#### **Herramientas necesarias**

- Llave de tuerca de 3/8 pulgadas o llave de vaso con una extensión de 6 pulgadas y una carraca.
- Llave de vaso de 3/32 pulgadas
- Llave inglesa con apertura de 15/16 pulgadas
- Destornillador de mango corto

Saque el montaje de la tapa e inspeccione el tanque de recuperación para ver si quedan restos de agua. Si fuese necesario, limpie el tanque con una toalla.

Afloje la abrazadera de la manguera en el montaje de la válvula de ventilación y sáque la tapa.

**Para mantener la apariencia**, limpie las superficies interiores y exteriores con un trapo húmedo. Para una limpieza profunda y para añadir un brillo protector al exterior.

### **Mensualmente**

**Use un aerosol multiuso de silicona** para lubricar ruedas, ruedecillas y pestillos. Tenga el cuidado de limpiar cualquier exceso de aerosol ya que podría crear superficies resbaladizas.

### **Cuando sea necesario**

**Reemplace el filtro HEPA.** Reemplace cuando el filtro está visiblemente sucio. Para acceder al filtro, saque los tornillos mariposa de la placa que cubre el filtro y levántela. Los repuestos del filtro se venden en paquetes de cuatro. Pida el repuesto número F503 de Dri-Eaz.

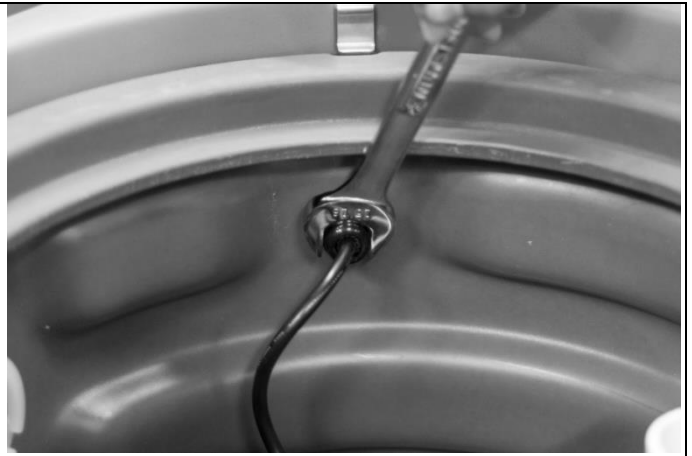
### **Tareas especiales de mantenimiento**

**Reemplace el filtro HEPA.** Reemplace el filtro HEPA después de cada uso o cuando esté visiblemente sucio. Se debe usar filtro HEPA sólo en caso de trabajos de Categoría 3. Se vende en paquetes de cuatro. Pida el repuesto Dri-Eaz N° F503.

**Sustitución del motor del soplador 800 horas**  
Ordene el kit de repuesto del motor del cepillo: repuesto número S506 de Dri-Eaz. Complete las instrucciones que se proveen con el kit.



Afloje la abrazadera del cable en la pared interna del tanque con una llave inglesa de 15/16 pulgadas y recoja aproximadamente dos pies de cable o hasta que el cable presente resistencia.



### **Sacar el montaje del flotador.**

Nota: No es necesario sacar el montaje del flotador para acceder a la bomba. Sin embargo, le recomendamos sacar el montaje y limpiarlo cada vez que inspecciona y limpia la bomba.

Para sacar el montaje del flotador, afloje y baje la abrazadera de la manguera del montaje y sáquelo.



Si está haciendo el mantenimiento del montaje del flotador, use un destornillador Philips para sacar el tornillo que retiene la cámara del flotador para sacarla. Enjuague todos los componentes y asegúrese de que el flotador se mueva libremente dentro de la cámara. Vuelva a instalar la cámara del flotador.



Afloje la abrazadera de la salida de la manguera de la bomba superior y saque la manguera de la salida.



Usando la llave de vaso de 3/8 pulgadas, saque los pernos de ambos extremos del refuerzo transversal. Separe el refuerzo transversal.



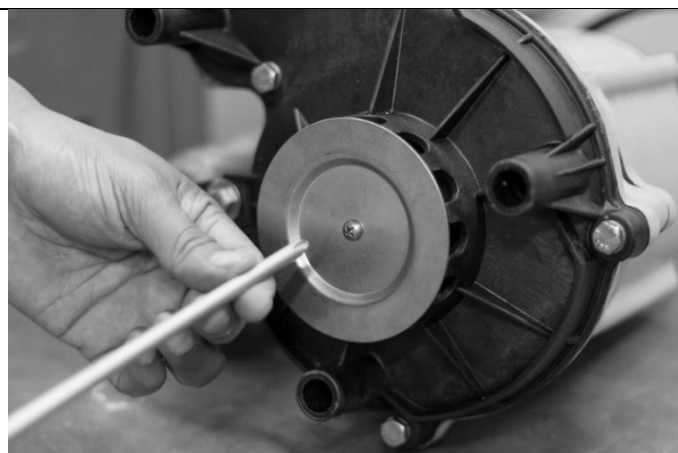
Inspeccione el montaje del flotador. Verifique el flotador, el eje del flotador y el brazo del interruptor del flotador para verificar que funcionan sin problema. Limpie si es necesario.



Pliegue la manija de la bomba hacia arriba y saque la bomba para inspeccionarla. Coloque la bomba sobre una mesa u otra superficie estable ubicada cerca de la unidad. No hay necesidad de desconectar el mazo de cables.



Con un destornillador Philips, saque el tornillo de sujeción de la tapa de la entrada de la bomba y retire la placa de la base de la bomba. Limpie todos los desechos del área de entrada. Vuelva a colocar la placa cuando termine.



Limpie el tanque con un trapo limpio.



### **Reensamblaje**

Baje la bomba al fondo del tanque y doble la manija hacia abajo. Asegúrese de que los pies de la bomba están correctamente asentados.

Vuelva a colocar el soporte de sujeción de la bomba.

Vuelva a empujar el exceso de cable de alimentación a través del sujetador de cable y vuelva a ajustarlo. El cable debe estar flojo, pero no debe colgar hacia abajo ni interferir con las operaciones del flotador o del montaje del brazo del flotador.

Vuelva a instalar el montaje del flotador.

Vuelva a colocar el montaje de la tapa.

La unidad está lista para su uso.

## **Reemplazo del motor de la bomba de aspirado**

### **Herramientas y repuestos necesarios**

Llave tubo de 3/8" con extensión de 6" extensión y carraca.

Destornillador de mango corto

Kit de reemplazo la escobilla de motor (Repuesto Dri-Eaz N°S506)

### **Instrucciones**

1. Quite el montaje de tapa y verifique el tanque para ver si hay restos de agua. De ser así, seque con una toalla. Vuelva a colocar el montaje de tapa.
2. Ponga la unidad boca abajo.



3. Usando la llave con el accesorio de 3/8", quite los diez tornillos del fondo de la tapa y retire la tapa inferior y el montaje de las ruedas. Deje a un costado.

4. Afloje la abrazadera de entrada de la Aspiradora 1 usando un destornillador, y quite la manguera.

5. Siga las instrucciones correspondientes a su unidad. El número de serie se halla impreso en la placa ubicada cerca de la salida de bombeo, detrás de la unidad.

**Unidades con números de serie del 1001 al 1089** deberán seguir estas instrucciones adicionales: 5a) Quite los tres bulones y las mangas de separación en la Aspiradora 2. 5b) Levante la bomba aspiradora. Continúe con el paso 6.

**Unidades con números de serie desde 1090 en adelante** deberán avanzar al paso 6.

6. Usando la llave con un accesorio de 3/8" con una extensión de 6" y llave carraca, retire los cuatro bulones que sujetan la placa de montaje del motor.

7. Levante el montaje del motor de soplado. Tenga cuidado de no dañar los anillos de goma espuma utilizados para sellar la tapa del motor a la pared de la carcasa. No es necesario retirar los motores de la placa.

**Inspeccionar y reemplazar las escobillas de los motores, ver p. 24.**

#### **Rearmado**

*SÓLO N° de series 1001–1089:*

Utilizando los tres bulones y las mangas de separación, vuelva a instalar la aspiradora 1 en la placa de montaje del motor.

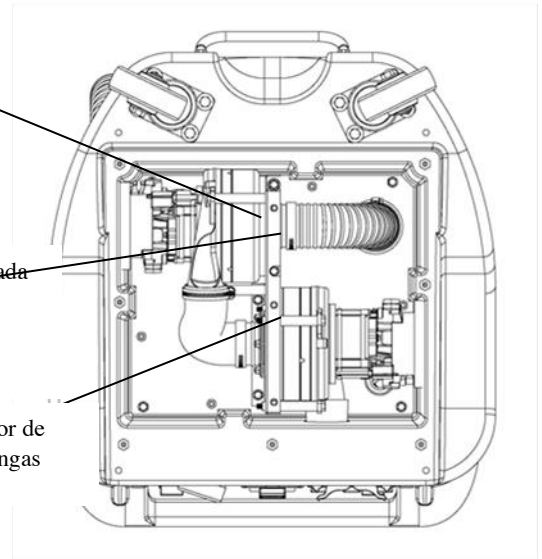
*TODAS LAS UNIDADES:*

1. Insertar el montaje del motor de aspirado en su lugar.
2. Volver a colocar los cuatro bulones de la placa de montaje del motor.
3. Volver a colocar la manguera de la Aspiradora 1 y ajustar la abrazadera.
4. Verifique las conexiones eléctricas. Asegúrese de que cada conexión está bien calzada en sus conectores.
5. Vuelva a colocar la tapa inferior y el montaje de las ruedas y gire la unidad a su posición normal. Ahora está lista para ser utilizada.

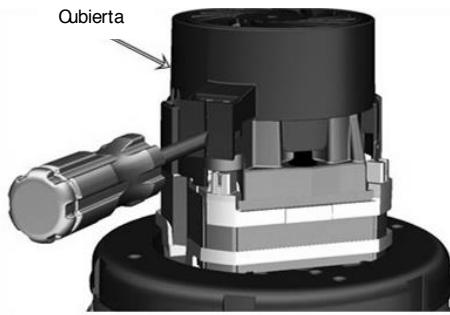
Montaje de la placa del soplador. Sujeto a la placa de la base con 4 bulones.

Manguera de entrada c/ abrazadera del Soplador de Aspiradora 1

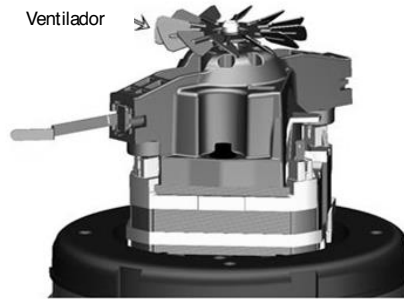
Tuercas de Soplador de Aspiradora 2 y mangas separadoras (x3).



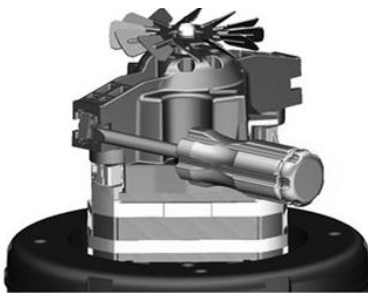
## FIG. E: reemplazar las escobillas de los motores



1. Con un pequeño destornillador chato, separe **CON CUIDADO** las lengüetas plásticas y quite la cubierta.



Insertar el extremo de la herramienta de reemplazo **DENTRO** del resorte hasta que se detenga. Si la línea trazada por la herramienta ingresa dentro del tubo de la escobilla, la misma debe ser reemplazada.

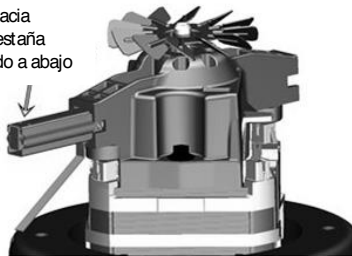


3. Utilizando el destornillador, doble la pestaña hacia afuera.



4. Utilizando una pinza, sujete la Pestaña y tire la escobilla de su soporte.

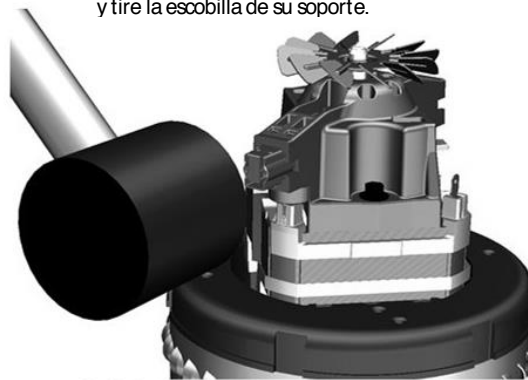
"Bulto" hacia arriba, pestaña apuntando a abajo



5. Deje la herramienta de instalación en la ranura en la parte superior del resorte de contacto de la escobilla.

6. Mientras sostiene el resorte con la herramienta de reemplazo, deslice la nueva escobilla sobre la parte superior de la herramienta, y empújela a mano hasta el soporte.

7. Luego de que la nueva escobilla pase el resorte de contacto, tire y saque la herramienta de reemplazo.



8. Usando un mazo de goma, golpee suavemente la escobilla hasta que calce con el extremo del soporte.

9. Repetir los pasos 3 a 8 para el montaje de la segunda escobilla de carbón. **SIEMPRE REEMPLACE AMBAS ESCOBILLAS.**

10. Con mucho cuidado vuelva a colocar la cubierta del ventilador.

## ESPECIFICACIONES

Modelo	HVE3000 High Volume Extractor
Peso	132 libras   60 kg
Dimensiones (Altura x Ancho x Profundidad)	40.2 x 22.5 x 23.6 pulgadas 102.1 x 57.2 x 59.9 cm
Alimentación (115V)	12A (Soplador 1 + Bombeo); 13.5A (+ Soplador 2)
Capacidad del tanque	12 galones   45 litros
Seguridad	Certificado bajo las normas C22.2 No. 243 de CSA Cumple con las normas 1017 de UL
Calificaciones de rendimiento máximo:	
Soplador 1 (soplador bajo)	8 pulgadas de Hg (108 pulgadas de H <sub>2</sub> O)
Soplador 2 (soplador alto)	10 pulgadas de Hg (136 pulgadas de H <sub>2</sub> O)
Ambos sopladores	12 pulgadas de Hg (164 pulgadas de H <sub>2</sub> O)
Índice de descarga de la bomba (salida de 1½ pulgadas)	50 gpm
Índice de descarga de la bomba (salida de ¾ pulgadas)	12 gpm
Las especificaciones están sujetas a cambios sin previo aviso. Puede que algunos valores sean aproximados.	

Asegúrese de visitar [Warranty.LegendBrandsRestoration.com](http://Warranty.LegendBrandsRestoration.com) y registrar su compra para cerciorarse de recibir cualquier comunicado importante sobre el producto.



**⚠ ADVERTENCIA:** Este product y otras sustancias que puedan llegar a ser aerotransportadas por su uso contener sustancias químicas (incluido el plomo y los ftalatos) reconocidas por el estado de California como causantes de cáncer, defectos congénitos y otras afecciones del aparato reproductor. Pour de plus amples informations, rendezvous sur [P65Warnings.ca.gov](http://P65Warnings.ca.gov)

## HVE3000 Pompe d'évacuation des eaux et surpresseur en ligne

LEGEND BRANDS, INC.  
F479

15180 Josh Wilson Road  
Burlington, WA 98233

[LegendBrandsRestoration.com](http://LegendBrandsRestoration.com)

Téléphone : 800-932-3030

La HVE3000 de haute efficacité peut être utilisée comme pompe d'évacuation des eaux afin d'enlever rapidement les excès d'eau liquide pour l'assainissement d'inondation et comme pompe avec surpresseur en ligne monté sur camion pour prolonger la longueur effective du tuyau d'aspiration pour l'extraction d'eau et le nettoyage des moquettes.

brevets : <http://www.LBpatents.com>

### VEUILLEZ LIRE ET CONSERVER CES INSTRUCTIONS

#### CONSIGNES DE SÉCURITÉ



**AVERTISSEMENT! Ne pas altérer votre HVE3000. Utiliser seulement des pièces de rechange autorisées par Legend Brands, Inc. La modification ou l'utilisation de pièces non autorisées peut**

**constituer un danger et annulera votre garantie. Contactez votre distributeur agréé Dri-Eaz .**

**AVERTISSEMENT! Risque de choc électrique; dangers causés par la turbine d'air aspiré et les surface chaudes.**

Ne pas laisser l'appareil sans surveillance lorsqu'il est sous tension. Le débrancher de la prise de courant lorsqu'il n'est pas utilisé ou avant son entretien.

Ne pas permettre aux enfants de s'en servir comme jouet. Une attention particulière est impérative lorsqu'il est utilisé par ou à proximité des enfants.

Ne pas utiliser le cordon comme une poignée. Ne pas coincer le cordon dans une porte ou le tirer autour de coins ou d'arêtes vives. Ne faire passer aucun appareil sur le câble. Éloigner le cordon des surfaces chauffées.

#### PROTÉGER VOTRE ÉQUIPEMENT

Pour protéger votre équipement de valeur et éviter d'annuler la garantie, lire et respecter les instructions suivantes :

- Installer le filtre HEPA lorsque vous l'utilisez sur les travaux de restauration de Catégorie 3.
- Retirer et jeter le filtre à la fin des travaux de restauration de toute la Catégorie 3. Le port d'une protection auditive est recommandé.
- Utiliser des produits chimiques anti-mousse chaque fois que le réservoir d'eau contient de la mousse.
- Remplacer le filtre HEPA s'il devient humide en cours d'utilisation.
- Si la mousse ou l'eau est attiré dans les aspirateurs-souffleurs, retirer le tuyau ou le tube rallonge et mettre en marche l'unité du souffleur pendant 5 minutes pour sécher le système avec de le stocker.

***Le non respect de ces instructions peut endommager le système de l'aspirateur.***

#### Entretien

- Remplacer les brosses de l'aspirateur-souffleur après 800 heures de fonctionnement (Fig. E).

Ne pas débrancher en tirant sur le fil. Pour le débrancher, saisissez la fiche, pas le cordon.

Ne pas toucher la fiche ou l'appareil avec les mains mouillées.

Ne pas introduire d'objets dans les ouvertures. Ne pas utiliser si des ouvertures sont obstruées. Veiller à ce que les ouvertures ne soient jamais obstruées par de la poussière, de la peluche, des cheveux ou quoi que ce soit risquant de réduire le flux d'air.

Éteindre l'appareil avant de le débrancher.

Redoubler de prudence lors de l'utilisation dans des escaliers.

Ne jamais l'utiliser pour aspirer des liquides inflammables ou combustibles tels que l'essence, ou dans des endroits où ils peuvent être présents.

Ne brancher cet appareil qu'à une prise de courant mise à la terre correctement. Voir les instructions de mise à la terre

Utiliser uniquement à l'intérieur.

Entreposer uniquement à l'intérieur et protéger contre le gel.

Ne pas exposer à la pluie ou la neige.

**Fixer chaque cordon d'alimentation dans les prises CEI sur la poignée avant utilisation. Ne pas faire fonctionner sans les cordons verrouillés en place.**

## INSTRUCTIONS DE MISE À LA TERRE

Cet appareil doit être mis à la terre. S'il fonctionne mal ou tombe en panne, la mise à la terre fournit au courant électrique une résistance moindre afin de réduire les risques d'électrocution. Cet appareil est équipé de cordons avec conducteurs et fiches de mise à la terre de l'appareillage. Les fiches doivent être branchées sur une prise ayant une mise à la terre conforme, installée correctement et en règle avec tous les codes et règlements locaux.

**AVERTISSEMENT! La connexion inappropriée d'un conducteur à contact de mise à la terre peut occasionner un risque d'électrocution. Vérifiez auprès d'un électricien qualifié ou d'un technicien si vous avez des doutes sur la mise à la terre du produit. Ne modifiez pas la fiche du produit si elle ne convient pas à la prise de courant. Faites installer une autre prise de courant par un électricien qualifié.**

Cet appareil doit être utilisé sur un circuit nominal de 120 volts et est équipé d'un cordon électrique et une prise pour permettre la connexion à un circuit électrique adéquat. Assurez-vous que l'appareil est raccordé aux prises ayant la même configuration que les fiches.

Aucun adaptateur ne doit être utilisé avec cet appareil. Si l'appareil doit être reconnecté pour une utilisation sur un autre type de circuit électrique, la reconnexion doit être effectuée par un technicien qualifié.

## MANIPULER L'APPAREIL AVEC PRÉCAUTION

Travailler sur un sol stable et horizontal. Ne pas lancer ou laisser tomber l'appareil. Un mauvais traitement peut endommager l'appareil et peut créer une situation dangereuse ou annuler la garantie.

Cet appareil est destiné à un usage domestique et commercial.

## AVANT DE COMMENCER

### Enregistrement de la garantie

Visitez [Warranty.LegendBrandsRestoration.com](http://Warranty.LegendBrandsRestoration.com) pour enregistrer votre achat. L'enregistrement nous permet de mieux vous aider à utiliser, entretenir ou réparer votre équipement, et de vous contacter si nous avons des informations de sécurité importantes concernant ce produit. Si vous déterminez qu'un service est requis, ayez votre modèle, numéro de série et la preuve originale d'achat disponible et appelez votre distributeur pour de l'aide à l'obtention d'une autorisation écrite de retour (AER).

## INTRODUCTION

La HVE3000 est une **Pompe d'évacuation des eaux portative** conçue pour un usage commercial. Elle peut être associée avec un outil d'extraction pour enlever l'eau rapidement et efficacement des structures inondées. Elle est idéale pour une utilisation dans les grands espaces ou dans les unités à multi-niveaux comme les hôtels, écoles, hôpitaux, usines, bureaux et maisons.

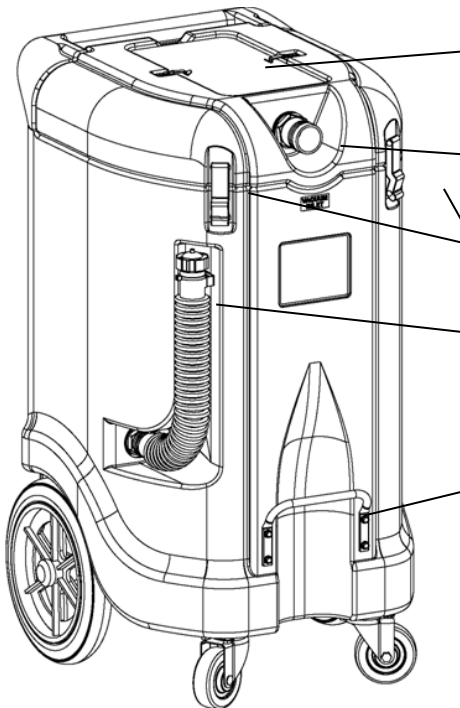
Le HVE3000 peut également servir comme **Surpresseur en ligne et pré-filtre** avec un extracteur monté sur camion pour fournir une pression aspirée supplémentaire sur flexibles de grande longueur. Lire ce manuel attentivement pour savoir comment faire fonctionner correctement votre HVE3000. Une utilisation non conforme de la machine peut créer des conditions dangereuses et peut annuler la garantie.

## CONTENU DU GUIDE

Identification des pièces .....	28
Réglage du mode d'extraction .....	29
Réglage du gaveur monté sur camion .....	29
Entretien .....	30
Fiche technique .....	36

# IDENTIFICATION DES PIÈCES

**FIG. A :**



Couvercle du panier du filtre. Retirer en soulevant les colliers de serrage.

**Entrée d'aspiration** (à partir de l'outil d'extraction).

**Loquets de l'assemblage du couvercle (x4)**

**Tuyau de drainage par gravité.** Assurez-vous qu'ils sont couverts et clipsés en place lorsque non en service.

**Saisissez la poignée/le guide du tuyau d'aspiration.** Dirigez le tuyau à travers le guide avant l'utilisation afin d'éviter le basculement.

Également inclus : une section de 25 pieds d'un tuyau d'aspirateur de 2 po.

**FIG. B: ARRIÈRE**

**Poignée**

**Sortie pour le vide.** Branchez au terminal embarqué pour l'utiliser comme surpresseur.

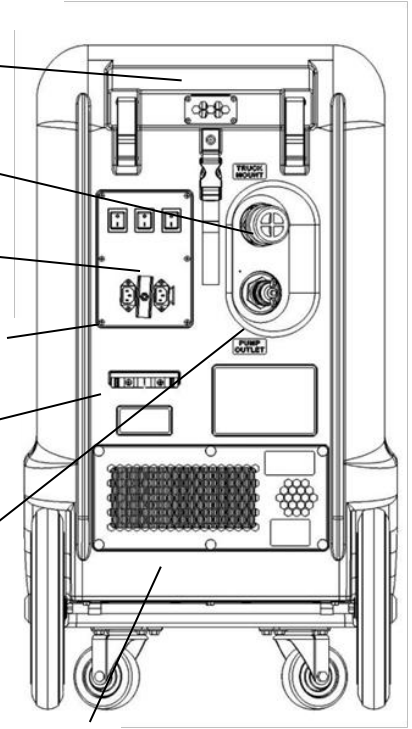
**Panneau de commande et prise de courant de cordon d'alimentation.** Détails dans la Fig. C.

**Blocage du cordon.** Sécurisez les fiches dans les prises.

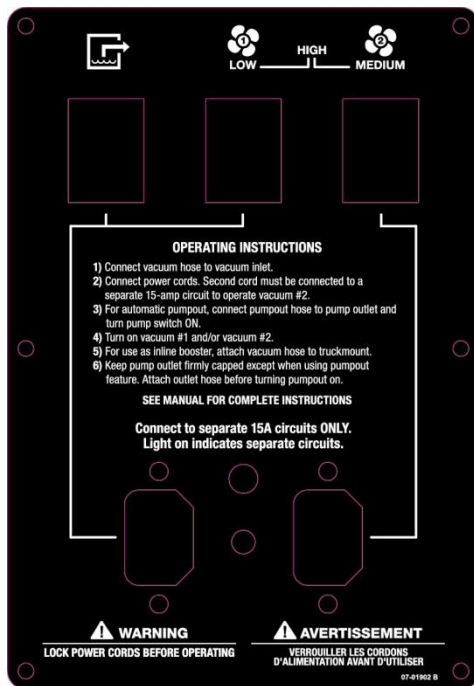
**Clips de retenue du cordon d'alimentation.** Sécurisez le(s) cordon(s) ici en se servant de

**Sortie de collecteur de la station de vidange automatique.** Muni d'une sortie de 1½ po. Pour utiliser un tuyau d'arrosage, remplacez-la avec l'adaptateur ¾ po. Garder fermé lorsqu'il n'est pas en service.

**Grille de filtre d'échappement HEPA.** Les vis moletées permettent le remplacement facile du filtre.



**FIG. C : DÉTAIL DU PANNEAU DE COMMANDE AVANT**



**P : Interrupteur de vidange automatique.** Mettre en tension pour activer le système de vidange automatique. **AVIS !** Lorsque le système de vidange automatique est activé, la pompe de puisard peut s'activer dès qu'il y a du liquide présent dans le réservoir. Du liquide risque d'être expulsé de la sortie de la pompe avec une force considérable et causer des blessures. Fixez toujours le tuyau d'évacuation approprié avant d'activer le système de vidange automatique.

**1, 2 : Interrupteurs d'aspirateur-souffleur**

**BAS :** Ventilateur de soufflage 1 ALLUMÉ, Ventilateur de soufflage 2 ÉTEINT. Cordon A requis.

**MOYEN :** Ventilateur de soufflage 1 ÉTEINT, Ventilateur de soufflage 2 ALLUMÉ. Cordon B requis.

**HAUT :** Ventilateur de soufflage 1 ALLUMÉ, Ventilateur de soufflage 2 ALLUMÉ. Cordons A et B requis.

**A : Prise du cordon d'alimentation.** Fournit l'alimentation à la pompe de puisard et ventilateur de soufflage 1.

**B: Prise du cordon d'alimentation :** Fournit l'alimentation à la souffleuse 2.

**IMPORTANT ! Cordons d'alimentation sécurisée dans les prises avec serrure.**

**Voyant de contrôle du circuit indépendant :** S'allume en vert lorsque les deux cordons sont correctement branchés à des circuits séparés. Aucune lumière s'affiche si a) les deux cordons sont branchés sur le même circuit ou b) si seulement un câble est branché. Lorsque vous utilisez les deux cordons d'alimentation, ne pas utiliser l'appareil sauf lorsque le voyant vert est allumé.

**IMPORTANT ! AVANT LA PREMIÈRE UTILISATION :**

Le guide de la poignée d'emprise/tuyau d'aspiration (voir Fig. A) est expédié à l'intérieur du panier-filtre (Fig. D). Retirez le guide du panier et l'installer comme indiqué à l'aide des quatre vis fournies. Ne pas trop serrer les vis. L'appareil est maintenant prêt à être mis en service comme extracteur ou surpresseur. Deux bandes Velcro sont également incluses dans le panier filtre (figure D). Utilisez ces sangles pour fixer le tuyau d'aspiration lorsqu'il n'est pas en service.



## RÉGLAGE DU MODE D'EXTRACTION

Retirez l'eau rapidement et efficacement des structures inondées.

**1) Raccorder le tuyau d'aspiration à l'entrée d'aspiration.**

**2) Connectez un ou deux cordons d'alimentation selon les exigences de la tâche. Le deuxième cordon doit être branché à un circuit séparé de 15 ampères.**

**AVIS :** Les cordons d'alimentation de l'HVE3000 doivent être branchés dans des prises distinctes, protégées par un disjoncteur de mise à la terre (GFCI) de 115 v dimensionnés pour au moins 15 ampères. Toujours brancher le cordon fermement dans la base de l'appareil en premier lieu et ensuite fixer le cordon dans la pince à cordon..

**AVIS :** Branchez UNIQUEMENT sur deux circuits distincts de 15 ampères. Une lumière verte indique que les connexions sont correctes. Aucune lumière s'affichera lorsque vous utilisez un seul cordon.

**3) Pour une vidange automatique,** raccorder le tuyau à vidange à la sortie de la pompe et ouvrir l'interrupteur de la pompe. Ne pas utiliser de tuyaux de diamètre inférieur à 5/8 po. Pour une performance de vidange accrue, voir « Maximiser la Performance de Vidange » à la page 30.

**AVIS :** Avant de mettre la pompe en marche, raccordez un tuyau d'évacuation et placer l'extrémité dans une canalisation adéquate. Faire fonctionner la pompe sans un tuyau de vidange peut causer des blessures.

**AVIS :** Éviter tout contact avec l'eau s'écoulant de la sortie de la pompe. L'eau est sous pression et peut quitter l'unité avec une force considérable. L'eau peut contenir des produits chimiques ou des contaminants qui peuvent être dangereux pour la santé lors du contact.

**4) Mettre sous tension le ventilateur de soufflage à BAS, MOYEN ou HAUT.**

La machine peut fonctionner avec un ou deux ventilateurs. Pour un rendement d'aspiration optimal, mettre en marche le ventilateur de soufflage 1 et le ventilateur de soufflage 2.

**Pour utilisation comme extracteur monté sur camion, voir « Mode surpresseur » ci-dessous.**

**AVIS :** Garder la sortie sur camion fermée lorsqu'elle n'est pas en service.

### ASTUCE POUR L'EXTRACTION

Placez le HVE3000 aussi près que possible de l'extrémité du tuyau le plus proche de la baguette ou autre outil d'extraction. Cette position permettra de maximiser la poussée d'aspiration fournie par l'unité.

## RÉGLAGE DU GAVEUR MONTÉ SUR CAMION

Utiliser en conjonction avec un extracteur monté sur camion pour fournir une alimentation supplémentaire d'extraction. **Le HVE3000 a été testé pour rendre l'aspirateur plus puissant avec des tuyaux allant jusqu'à 300 pieds (90 m). Pour optimiser les performances, nous recommandons d'utiliser les tuyaux les plus courts si possible.**

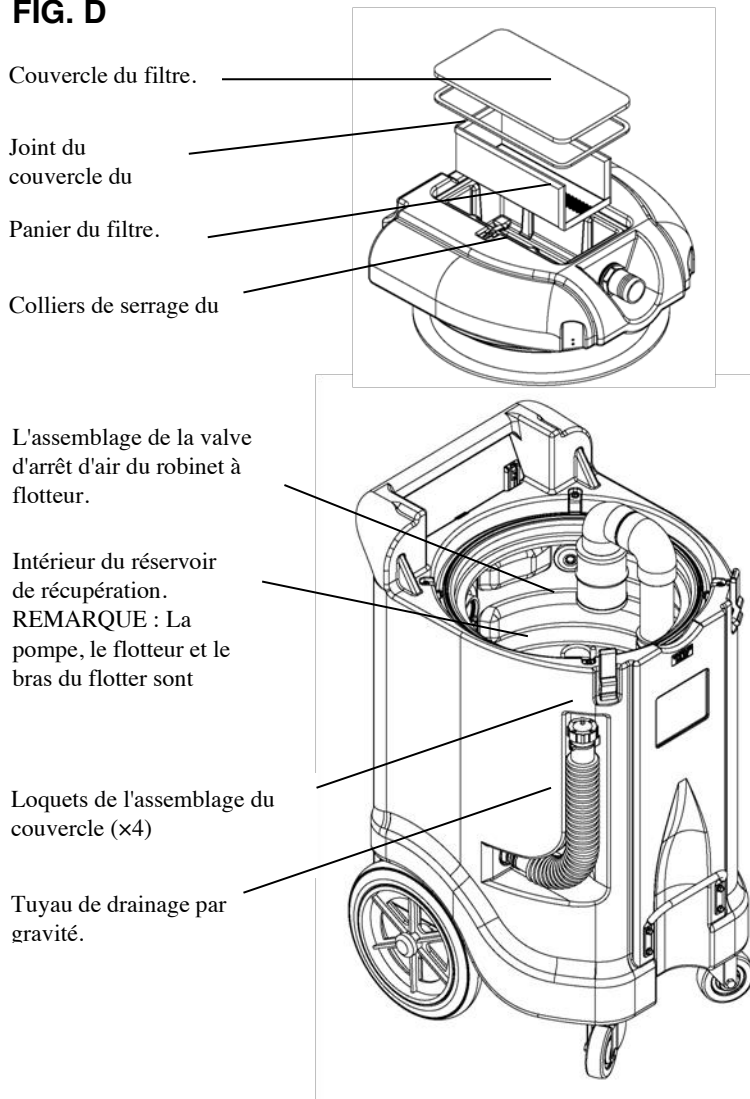
**AVIS :** N'essayez pas d'utiliser l'appareil avec un terminal embarqué qui génère des pressions d'aspiration supérieures à 12 po Hg H<sub>2</sub>O (164 po H<sub>2</sub>O). Cela pourrait endommager l'appareil et annulera la garantie.

**AVIS :** Ne pas utiliser avec des températures d'eau supérieure à 60 °C (140 °F). Cela pourrait endommager l'appareil et annulera la garantie.

**1) Raccordez le tuyau d'aspiration à l'entrée d'aspiration.**

**2) Connectez un ou deux cordons d'alimentation selon les exigences de la tâche. Le deuxième cordon doit être branché à un circuit distinct de 15 ampères.**

FIG. D



Une lumière verte indique que l'appareil a été correctement raccordé sur des circuits distincts.

**AVERTISSEMENT** : Les cordons d'alimentation de l'HVE3000 doivent être branchés dans des prises distinctes, protégées par un disjoncteur de mise à la terre (GFCI) de 115 v dimensionnés pour au moins 15 ampères. Toujours brancher le cordon fermement dans la base de l'appareil en premier lieu et ensuite fixer le cordon dans la pince à cordon..

**AVIS** : Branchez UNIQUEMENT à deux circuits distincts de 15 ampères. Une lumière verte indique que les connexions sont correctes. Aucune lumière s'affichera lorsque vous utilisez un seul cordon.

**3) Raccorder le tuyau à vidange à la sortie de la pompe et ouvrir l'interrupteur de la pompe.** Pour un rendement de vidange supérieur, nous vous suggérons d'utiliser un tuyau de sorti de 1½ po. Voir « Maximiser le rendement de vidange » **Error! Reference source not found.**

**4) Fixez le tuyau d'aspiration au terminal embarqué via la sortie de l'aspirateur.**

**5) Mettez sous tension le ventilateur de soufflage à BAS, MOYEN ou HAUT.**

La machine peut fonctionner avec un ou deux ventilateurs. Pour une pression d'aspiration maximale, mettre en marche le ventilateur de soufflage 1 et le ventilateur de soufflage 2.

#### **ASTUCE POUR FONCTIONNEMENT AVEC TERMINAL EMBARQUÉ**

Placez le HVE3000 aussi près que possible de l'extrémité du tuyau le plus proche de la bague ou autre outil d'extraction. Cette position permettra de maximiser la poussée d'aspiration fournie par l'unité.

### **Maximiser le rendement de Vidange**

La sortie de la pompe de puisard du HVE3000 est munie d'un raccord flexible barbée de 1½ po pour utilisation avec un tuyau d'évacuation de 1½ po (tuyau acheté séparément). Parce que le système interne de vidange est monté avec des lignes de 1½ po, l'utilisation d'un tuyau de vidange de gros diamètre contribuera à assurer un rendement de vidange maximal.

Le HVE3000 peut également être utilisé avec un tuyau d'arrosage standard. Il suffit de remplacer le raccord de 1½ po par le raccord de réducteur de ¾ po fourni avec votre appareil et d'y raccorder le tuyau d'arrosage.

**AVIS** : Avant de mettre la pompe en marche, raccordez un tuyau d'évacuation et placez l'extrémité dans une canalisation adéquate. Faire fonctionner la pompe sans un tuyau de vidange peut causer des blessures.

**AVIS** : Éviter tout contact avec l'eau s'écoulant de la sortie de la pompe. L'eau est sous pression et peut

quitter l'unité avec une force considérable. L'eau peut contenir des produits chimiques ou des contaminants qui peuvent être dangereux pour la santé lors du contact.

### **Arrêt du débit d'air**

Le HVE3000 arrêtera automatiquement le flux d'air aux ventilateurs de soufflage lorsque le réservoir de récupération est plein. Cela empêche l'eau et les débris de pénétrer dans les moteurs. Lorsque le réservoir de récupération devient excessivement sale, ou s'il y a trop de mousse dans le réservoir, le flotteur peut ne pas fonctionner correctement. Lorsque les ventilateurs émettent un long bruit aigu et il n'y a pas d'aspiration de produit, cela signifie probablement que le flotteur a engagé et que le réservoir est plein et doit être vidé, ou qu'un excès de mousse est présent. Lorsque cela se produit, vérifier le réservoir et videz le si nécessaire et utiliser un anti-mousse lorsqu'il y a de la mousse présente.

## **ENTRETIEN**

### **AVERTISSEMENT! DANGER D'ÉLECTROCUTION.**

Débranchez l'appareil avant toute opération d'entretien.

### **Avant chaque utilisation**

#### **Inspectez le cordon électrique pour les dommages.**

Vérifiez le cordon pour des coupes, effilochages ou autres dommages. N'utilisez pas l'appareil si vous constatez un dommage. Composez le 800-932-3030 pour trouver le centre de service le plus proche.

**Vérifiez le panier du filtre et le filtre HEPA** (Fig. D). Le rendement est considérablement réduit lorsqu'un filtre est bouché.

**Vérifiez le robinet à flotteur de la pompe de puisard** (Fig. D). Enlevez toute obstacles ou obstructions au mécanisme de flotteur.

**Vérifiez le tuyau d'évacuation manuel** pour des entraves ou des replis.

**Vérifiez tous les raccords.** Cherchez des fissures, du débris et des filets ou joints endommagés.

**Vérifiez le robinet à flotteur.** Assurez-vous que l'écran est propre.

### **Après chaque utilisation**

#### **Nettoyez le panier et le couvercle supérieur du filtre.**

Desserrez les serrages du couvercle, enlevez le couvercle et sortez le panier. Rincez le panier, le bassin du panier et le couvercle pour nettoyer. (Nettoyer également au besoin pendant l'utilisation.)

#### **Nettoyez le réservoir de récupération, le robinet à flotteur et robinet d'arrêt d'air.**

1. Desserrez les quatre loquets de l'assemblage du couvercle, puis soulevez l'ensemble du couvercle (voir Fig. D). Une fois le tuyau de drainage par gravité dirigé vers une canalisation d'évacuation adéquate, enlevez toute accumulation de débris et lavez l'intérieur du

réservoir de récupération avec un détergent tout usage. Rincez l'intérieur avec de l'eau fraîche. Laissez l'appareil se vidanger complètement à travers le tuyau de vidange par gravité.

2. Faites glisser l'ensemble de la valve d'arrêt d'air du robinet à flotteur vers le bas en l'enlevant de la colonne d'alimentation de l'aspirateur (Fig. D; Voir aussi « Retirer l'ensemble du flotteur » 32). Bien rincer la valve de rinçage. Veillez à ce que le flotteur se déplace librement à l'intérieur de la cage et soit libre de tout débris.

Remplacez l'ensemble de la valve du flotteur.

3. Essuyez la pompe, le flotteur et le bras du flotteur ainsi que l'intérieur du réservoir avec un chiffon humide. Laissez à l'intérieur et l'ensemble du couvercle bien sécher avant de remettre l'ensemble du couvercle.

**Afin de maintenir son apparence**, essuyez les surfaces intérieures et extérieures avec un chiffon humide. Pour un nettoyage en profondeur et pour ajouter un éclat protecteur à l'extérieur, utilisez le nettoyant le protecteur d'intérieur automobile.

## Mensuellement

**Utiliser un vaporisateur au silicone multi-usages** pour lubrifier les roues, les roulettes et les loquets.

## Inspection et entretien de la pompe 1 000 heures

### Outils Nécessaires

- Clé tournevis à canon ou douille de 3/8 po avec une rallonge de 6 po et une clé à cliquet.
- Douille de 31 ou 32 po.
- Clé à fourche de 15 ou 16 po.
- Tournevis à manche courte

Enlevez le couvercle et inspectez le réservoir de récupération pour voir s'il reste de l'eau. Si nécessaire, essuyez le réservoir au moyen d'une serviette.

Desserrez le collier de serrage sur l'ensemble du robinet flotteur et enlevez l'assemblage en le glissant.

Prendre soin d'essuyer tout excès de vaporisation (risque de surface glissante).

## Au besoin

**Remplacez le filtre HEPA.** Remplacer lorsque le filtre est visiblement sale. Pour accéder au filtre, enlevez les vis moletées de la plaque de couvercle du filtre et soulevez la plaque. Les filtres de rechange sont vendus en paquets de quatre. Demandez la pièce Dri-Eaz no F503.

## Tâches d'entretien spécial

Pour assurer un bon fonctionnement, nous vous recommandons l'entretien suivant selon les heures d'utilisation. Dans des conditions excessivement poussiéreuses ou sales, il peut être nécessaire d'effectuer ces tâches plus fréquemment.

### Remplacement du moteur du ventilateur de soufflage **800 heures**

Commandez la trousse de rechange de la brosse du moteur no S506. Des instructions complètes sont fournies avec la trousse.



Desserrez le serre-câble sur la paroi intérieure du réservoir avec la clé 15 ou 16 po et repliez environ deux pieds de cordon, ou jusqu'à ce que le cordon commence à résister.



### **Retirez l'ensemble du flotteur.**

Remarque : Il n'est pas nécessaire de retirer l'ensemble du flotteur pour accéder à la pompe. Cependant, nous recommandons le retrait de l'ensemble et son nettoyage chaque fois que vous vérifiez et nettoyez la pompe.

Pour retirer l'ensemble du flotteur, desserrez et baissez le collier de serrage sur l'assemblage du flotteur et retirez l'assemblage.



Si vous effectuez un entretien sur l'ensemble du flotteur, utilisez un tournevis pour enlever la vis de fixation du support du flotteur et enlevez le support du flotteur. Rincez tous les composants et assurez-vous que la boule du flotteur se déplace librement à l'intérieur du logement. Réinstallez le support du flotteur.



Desserrez le collier de serrage de la sortie supérieur de la pompe et retirez le tuyau de la sortie.



À l'aide de la douille de 3/8 po, enlevez les boulons sur les deux extrémités du support. Retirez le support.



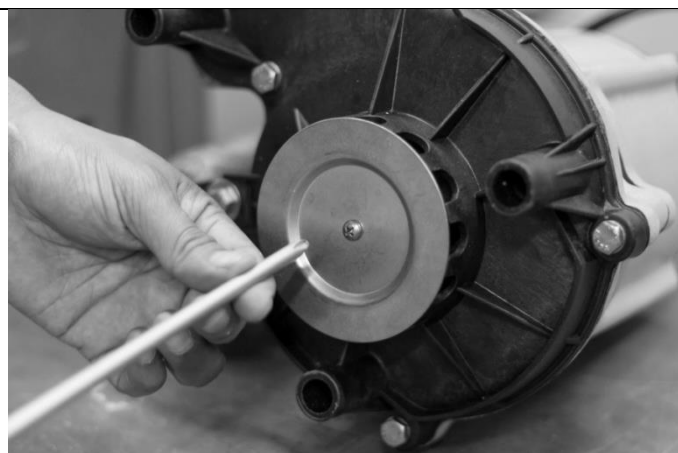
Inspectez l'ensemble du flotteur. Vérifiez le bon fonctionnement du flotteur, de la manche du flotteur et du bras du flotteur. Nettoyez-les au besoin.



Repliez la poignée de la pompe et sortez la pompe pour l'inspecter. Placez la pompe sur une table ou toute autre surface stable à côté de l'appareil. Vous n'avez pas à débrancher le faisceau de câbles.



À l'aide d'un tournevis Philips, retirez la vis de rétention du couvercle de l'arrivée de la pompe et la plaque du fond de la pompe. Nettoyez tous le débris autour des arrivées. Remplacez la plaque lorsque vous avez terminé.



Essuyez le réservoir avec un chiffon propre.



### **Remontage**

Baissez la pompe au fond de réservoir et repliez la poignée vers le bas. S'assurer que les pattes de la pompe sont bien en place.

Remplacez le support de fixation de la pompe.

Poussez l'excédent de cordon à travers la poignée du cordon et resserrez-la. Le cordon doit être lâche, mais ne doit pas pendre et nuire au le fonctionnement du flotteur ou du bras du flotteur.

Remettez en place l'ensemble du flotteur.

Replacez le couvercle.

L'unité est maintenant prête à l'emploi.

## Remplacement du moteur du ventilateur de soufflage

### Outils et pièces requis

Clé tournevis à canon ou douille de 3/8 po avec une rallonge de 6 po et une clé à cliquet. Tournevis à manche courte

Kit de remplacement de la brosse du moteur (Dri-Eaz pièce n° S506)

### Procédure

1. Enlevez le couvercle et inspectez le réservoir de récupération pour voir s'il reste de l'eau. Si nécessaire, essuyez le réservoir au moyen d'une serviette. Remplacez le couvercle.
2. Renversez l'unité.
3. Au moyen d'une douille de 3/8 po. et d'une clé à cliquer, retirez les dix vis à partir du couvercle de bas et enlevez le couvercle et la roue. Mettez de côté.
4. Desserrez l'attache du tuyau d'entrée Vac 1 au moyen d'un tournevis et tirez le tuyau.
5. Continuez à suivre les instructions liées à votre unité. Le numéro de série est imprimé sur la plaque signalétique située près de la sortie de la station de vidange à l'arrière de l'unité.

**Les unités ayant pour unités de série 1001–1089** doivent suivre les autres instructions suivantes : 5a) Retirez les trois boulons et les entretoises sur l'Aspirateur 2. 5b) Soulevez le ventilateur de soufflage. Poursuivez l'étape 6.

**Les unités ayant pour numéro de série 1090 et des nombres supérieurs** doivent continuer avec l'Étape 6.

6. Au moyen d'une douille de 3/8 po. et avec une rallonge de 6 po et une clé à cliquet, retirez les quatre boulons qui maintiennent la plaque du moteur en place.
7. Soulevez l'assemblage du moteur du souffleur. Veuillez à ne pas endommager les anneaux de la mousse utilisés pour sceller le couvercle du moteur sur la paroi du boîtier. Il n'est pas nécessaire de retirer les moteurs de la plaque.

**Inspection et remplacement des balais du moteur, voir page suivante.**

### Remontage

*N° de série 1001–1089 UNIQUEMENT :*

À l'aide de trois boulons et d'une entretoise, réinstallez Vac 1 sur la plaque de l'assemblage du moteur.

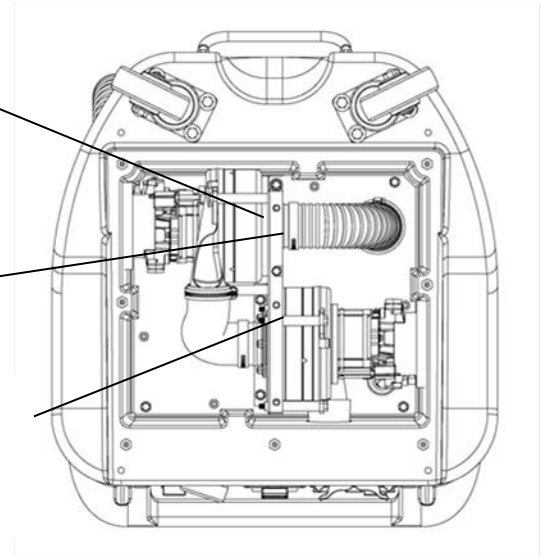
### **TOUTES LES UNITÉS :**

1. Insérez l'assemblage du moteur de l'aspirateur.
2. Réinstallez les quatre boulons de la plaque de l'assemblage du moteur.
3. Réinstallez le tuyau de l'Aspirateur 1 et resserrez les attaches du tuyau.
4. Vérifiez les raccords électriques. Assurez-vous que chaque raccord est bien fixé sur la bêche.

Assemblage de la plaque du souffleur. Fixé sur la plaque de base au moyen de 4 boulons.

Souffleur Aspirateur 1 tuyau d'entrée et collier de serrage du tuyau.

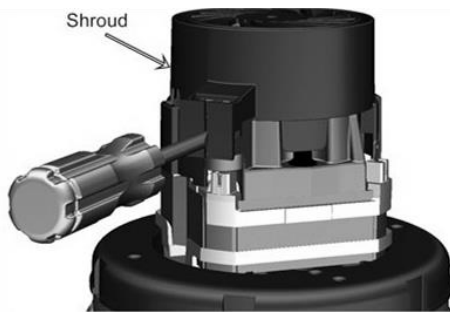
Souffleur Aspirateur 2 boulons et entretoises (x3).



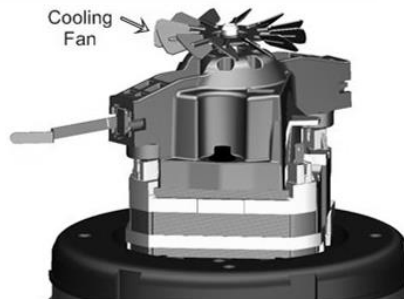
5. Remplacez le couvercle du fond et l'assemblage de la roue et remettez l'unité en position debout. L'unité est désormais prête à l'emploi.



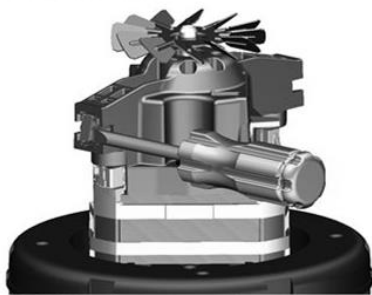
## FIG. DE: Le remplacement des balais de moteur



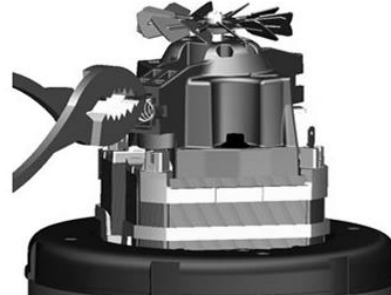
If your motor does not have a cooling fan and shroud, please skip to step 2.  
 1. Using a small flat tip screwdriver, CAREFULLY spread plastic tabs and remove shroud.



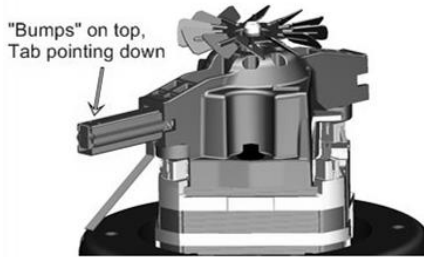
Insert long end of replacement tool INSIDE spring until it stops. If the scribe line on tool goes inside the brush tube, the brushes should be replaced.



3. Using the screwdriver, bend the tab outward.



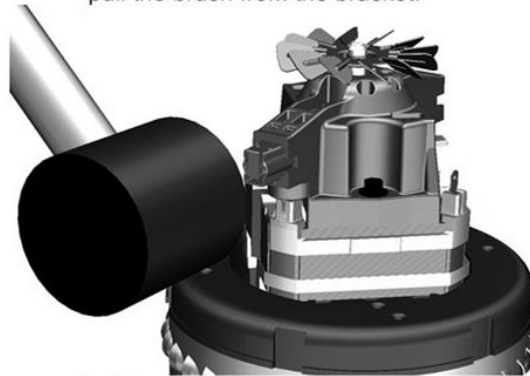
4. Using pliers, grasp the Tab and pull the brush from the bracket.



5. Lay the installation tool into the slot on top of the brush contact spring.

6. While holding the spring down with the replacement tool, slide the new brush over top of the tool, and push by hand into the bracket.

7. After new brush is past the contact spring, pull replacement tool out.



8. Using a rawhide mallet, gently tap carbon brush until it is flush with end of the bracket.

9. Repeat steps 3-8 for the second carbon brush assembly. ALWAYS REPLACE BOTH BRUSHES.

10. Carefully replace cooling fan shroud.

## FICHE TECHNIQUE

Modèle	Extracteur Haut Volume HVE3000
Poids	132 livres   60 kg
Dimensions (H x L x P)	40,2 x 22,5 x 23,6 po. 102,1 x 57,2 x 59.9 cm
Puissance (115V)	12A (Ventilateur de soufflage 1 + Vidange); 13,5A (+ Ventilateur de soufflage 2)
Capacité du réservoir	12 gal.   45 l
Sécurité	Certifié à la norme CSA C22.2 No 243 Certifié à UL Std 1017
Rendement nominal maximal	
Ventilateur de soufflage 1 (Ventilateur de soufflage bas)	8 po. Hg (108 in. H <sub>2</sub> O)
Ventilateur de soufflage 2 (Ventilateur de soufflage haut)	10 po. Hg (136 in. H <sub>2</sub> O)
Les deux ventilateurs de soufflage	12 po. Hg (164 in. H <sub>2</sub> O)
Débit de vidange (sortie de 1½ po.)	50 gpm
Débit de vidange (sortie de ¾ po.)	12 gpm
Les caractéristiques peuvent faire l'objet de modifications sans préavis. Certaines valeurs sont approximatives.	

Visitez-nous sur [Warranty.LegendBrandsRestoration.com](http://Warranty.LegendBrandsRestoration.com) et enregistrez votre achat pour être sûr de recevoir toute notice de produit importants.



**Intertek**  
**4009745**



**AVERTISSEMENT** : Ce produit peut vous exposer à des produits chimiques, dont le plomb et les phtalates, reconnus par l'État de la Californie comme étant des substances pouvant causer le cancer, des anomalies congénitales et d'autres troubles de l'appareil reproducteur. Pour de plus amples renseignements, visitez [P65Warnings.ca.gov](http://P65Warnings.ca.gov)

# PURCHASE / COMPRA / ACHAT

Purchase date / Fecha de compra / Date d'achat : \_\_\_\_\_

Serial number / Número de serie / Numéro de série : \_\_\_\_\_

Distributor / Distribuidor / Distributeur : \_\_\_\_\_ Tel. / Tel. / Tél. : \_\_\_\_\_

## MAINTENANCE / MANTENIMIENTO / ENTRETIEN

DATE FECHA DATE	SERVICE PERFORMED SERVICIO PROPORCIONADO MAINTENANCE EFFECTUÉE	PERFORMED BY PROPORCIONADO POR EFFECTUÉE PAR