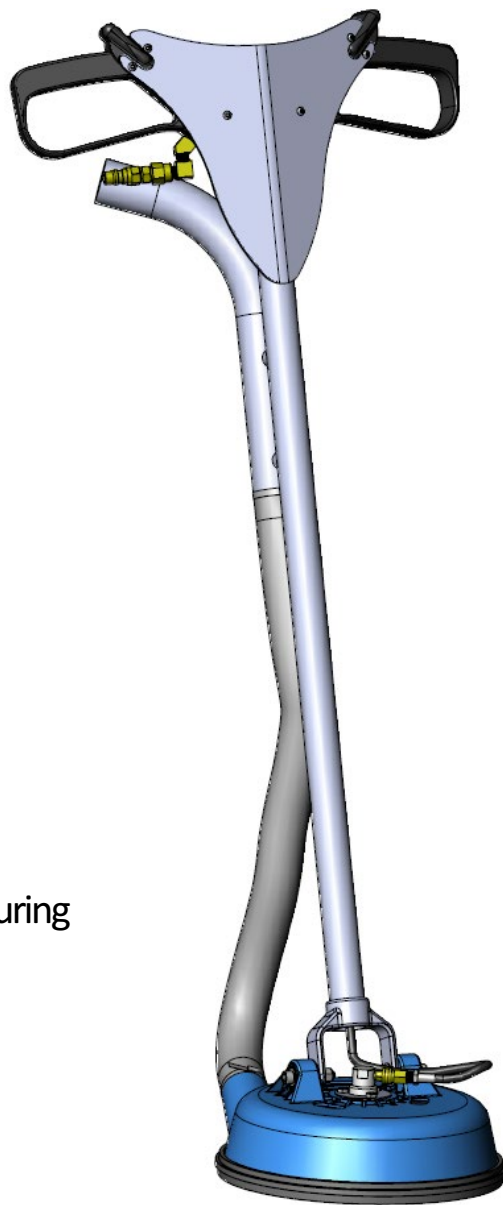


SX-12

Hard Surface Cleaning Tool

1610-8235



Hydro-Force Manufacturing

4282 South 590 West

Salt Lake City, UT 84123

801-268-2673

801-268-3856 FAX

INTRODUCTION

Congratulations on your purchase of the SX-12 hard surface cleaning tool.

Years of experience, engineering, and planning have gone into the design and manufacturing of the SX-12. We take a great deal of pride in the SX-12; our goal is no less than your complete satisfaction.

The SX-12 can be used with portable or truck mounted extractors to clean tile, concrete and stone floors. The superior water recovery of the SX-12 will make your tile cleaning faster and more efficient.

This manual will provide users with the knowledge to operate and maintain the SX-12.

Any questions pertaining to the operating or servicing of this unit should be directed to your nearest Hydro-Force distributor.

This manual is written specifically for the SX-12 tile cleaning tool manufactured by:

Hydro-Force Manufacturing
4282 South 590 West
Salt Lake City, UT 84123
801-268-2673
801-268-3856 FAX

Information in this manual is subject to change without notice and does not represent a commitment on the part of Hydro-Force, its parent or affiliated companies.

SPECIFICATIONS

Model 1610-8235, SX-12 Tile Cleaning Tool:

Cleaning Head: Width: 12 inches

Cleaning Head: Height: 3.5"

Total Height with Handle: 51 inches

Weight: 14.4 lbs.

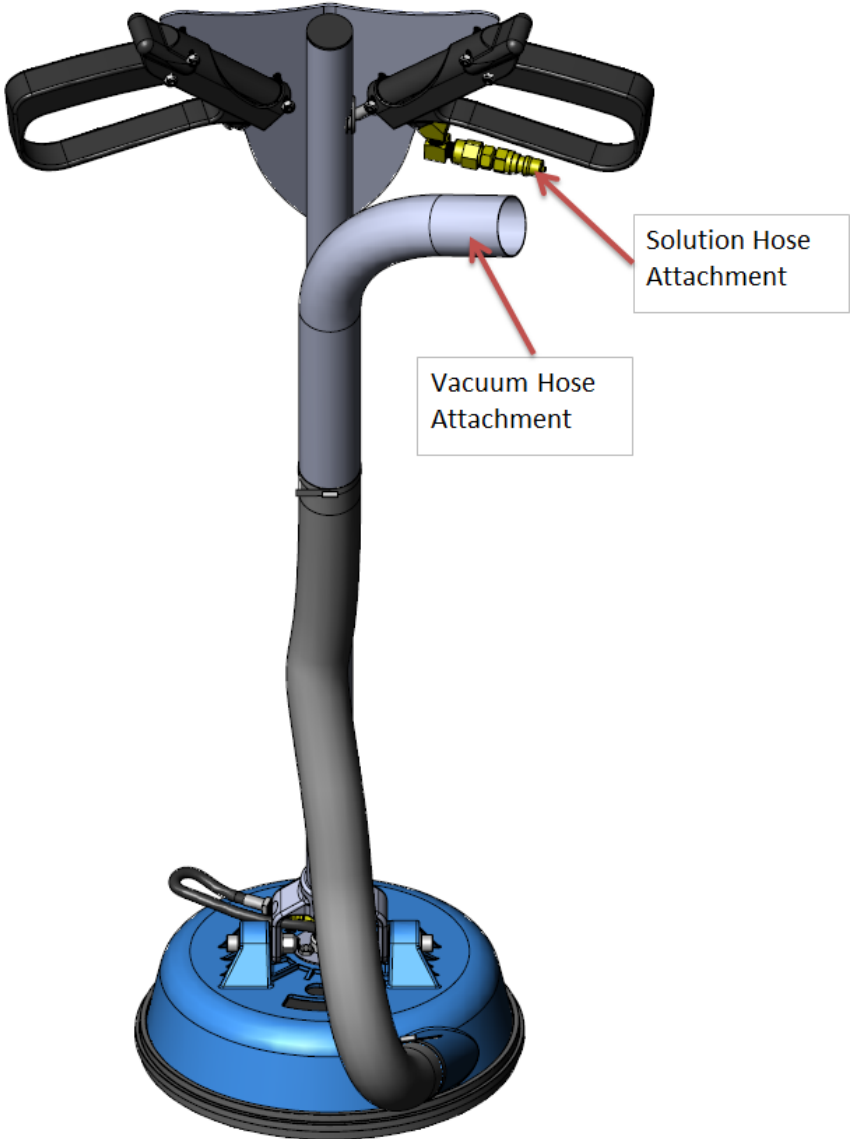
Recommended Solution Pressure: 700-1500 psi

Maximum Solution Temperature: 200° F

USING THE SX-12

Set-up Procedure

- 1. Connect the vacuum hose from your extractor to the vacuum pipe on the SX-12 handle. 2" vacuum hose and cuff is recommended.
- 2. Connect the solution hose from the extractor to the quick connect on the SX-12 valve assembly.
- 3. Turn the extractor ON. Adjust the water pressure to the desired setting. Recommended Pressure: 700 – 1500 psi. Maximum water temperature for the SX-12 is 200° F
- 4. Adjust the Vacuum Relief Slide for best recovery & ease of movement.



Basic Cleaning Procedure

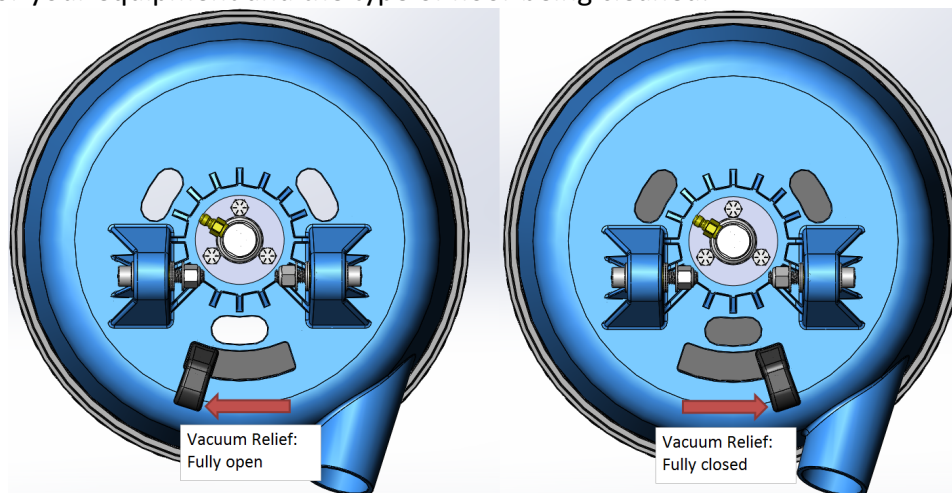
1. Remove all furniture from the area you are going to clean.
2. Protect surfaces not being cleaned with plastic sheeting or drop cloths. Cabinets, carpets, walls or other painted surfaces should be covered. Place Corner Guards when moving your hoses about and use furniture skidders or floor guards for moving heavy appliances.
3. Select the appropriate pre-spray chemical and apply to the floor using any preferred method. Let the pre-spray set for the amount of time recommended on the product label.
4. Spray the floor and extract waste water with the SX-12. Recommended pressure is 700 to 1500 psi, maximum water temperature for the SX-12 is 200° F. Running the unit at higher temperatures will cause pre-mature ware on the tool and also can negatively affect the cleaning capability of the tool.

After Use

1. Disconnect solution and vacuum hoses.
2. Wipe down unit with damp cloth.
3. Store in clean and dry place, above freezing temperature.
4. Do not store unit sitting directly on brush.

Vacuum Relief Vent Adjustment

The SX-12 has vacuum relief vents on top of the head assembly. To increase the water recovery, move the vacuum relief slide to the right to close the three vents. To prevent the SX-12 from sticking to the floor and to make the SX-12 easier to move, push the vacuum relief slide to the left to open the vents. Try different slide position settings to get the best movement and recovery for your equipment and the type of floor being cleaned.



Using the SX-12 with extractors with higher air flow will generally require the vacuum relief vents to be opened more.

Using the SX-12 with smaller portable extractors may require the vacuum relief vents to be closed for the best water recovery.

Extraction Equipment Solution Pump

The SX-12 will work with portable or truck mounted extractors. The extractor solution pump used with the SX-12 must provide the following minimum flow rates.

Solution Pump Pressure	Required Flow Rate, GPM (gallons per minute)
700 psi	1.5 gpm
1000 psi	2.0 gpm
1500 psi	3.0 gpm

SX-12 MAINTENANCE

Your SX-12 requires very little maintenance. To keep your SX-12 looking and working its best follow these maintenance steps after every use:

Daily Maintenance

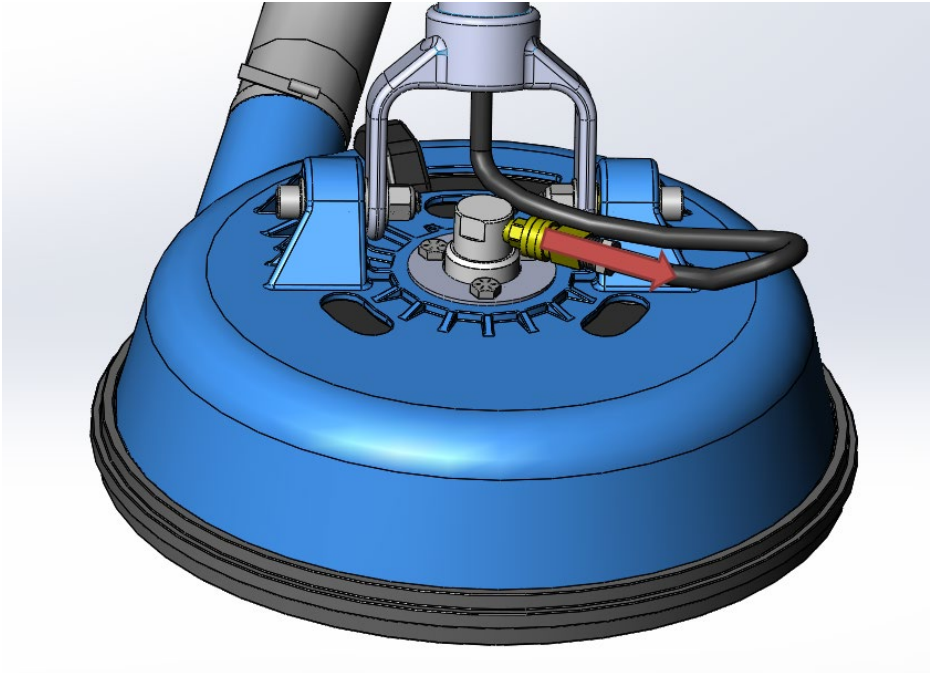
1. Rinse tool and wipe down with soft damp cloth.
2. Rinse brush clean. Examine brush for excessively ware and missing bristles.
3. Clean and inspect hoses.

Weekly Maintenance

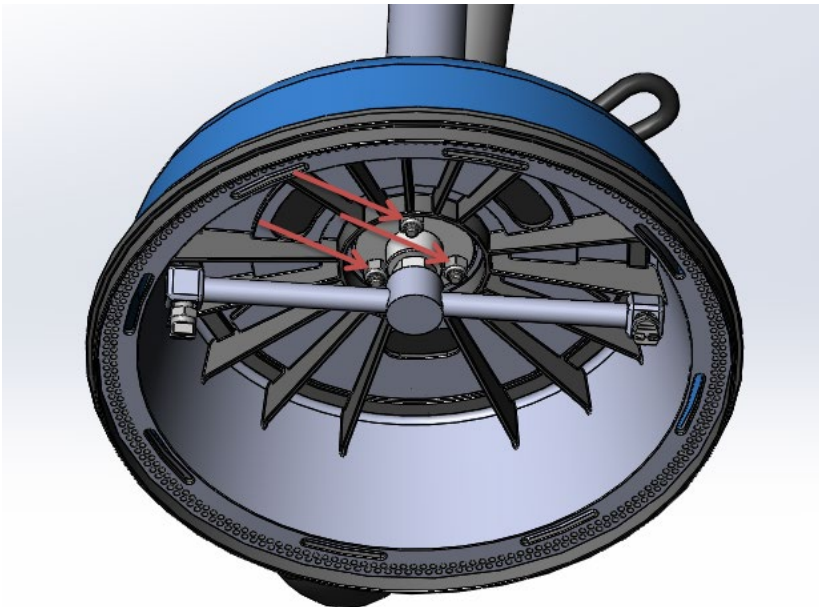
1. Inspect spray jets. Check the spray pattern of the jets. Clean or replace the jets as needed to assure an even cleaning pattern when using the tool.
2. Check and clean the stainless steel mesh solution line filter to prevent a reduction in water flow and tool efficiency. See item NA0803 in the parts diagram, between the quick connect and valve.

Head Disassembly

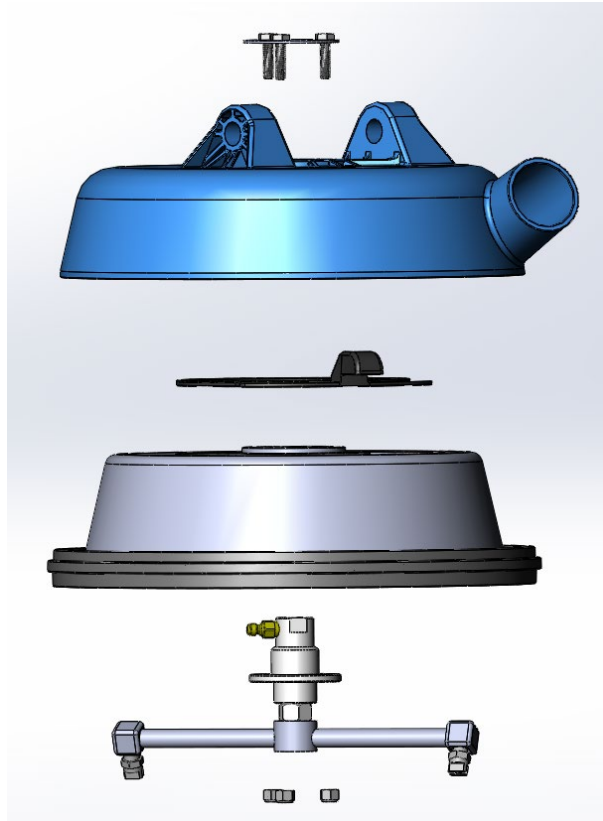
1. Disconnect the Solution hose from the swivel using the quick connect.



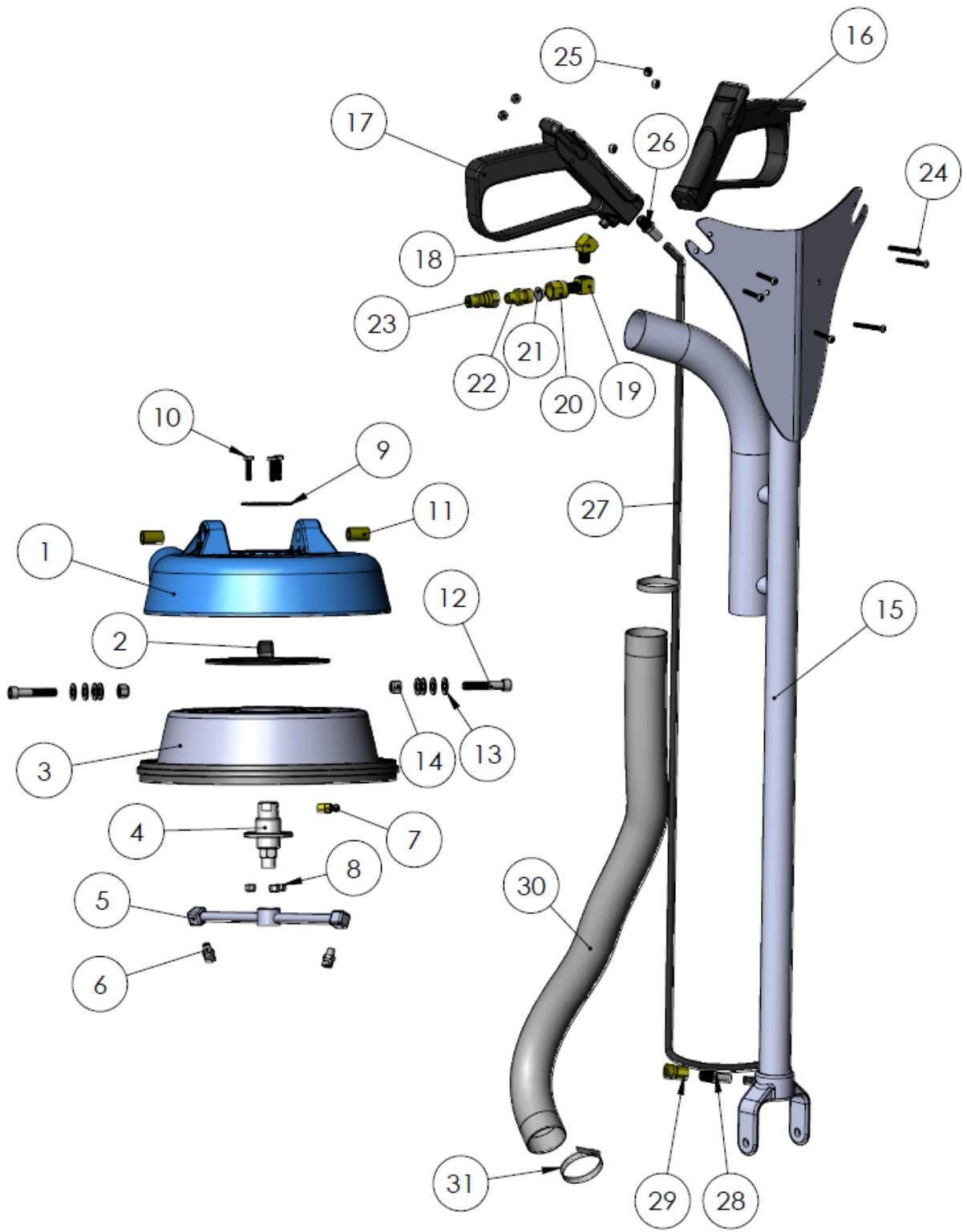
2. Remove the three assembly bolts at the base of the swivel



3. Separate inner and outer shells.



1610-8235, SX-12 Component List



Balloon	Part Number	Description	QTY
1	1611-8236	Outer Shell, SX12 2019	1
2	1613-8238	Vent Ring, sx12 2019	1
3	1612-8237	Inner Shell, SX12 2019	1
4	NX105	Swivel DXF 90	1
5	1699-8320	Spray Bar, SX12 2019	1
6	B632	VeeJet, SS 0502, MEG, 1/8" MPT	2
7	PKLF01	Quick Connect Male 1/8" MPT	1
8	NM4261	Nut, 1/4"-20, Nyloc	3
9	NM5644	Rotary Washer, sx7	1
10	NM5034	Screw, 1/4"-20 x1", SS, HXHD	3
11	NM5770	Bushing, Bronze	2
12	NM5780	Screw, 3/8"-16 x 2", SS, SOC	2
13	PA189	Washer, 3/8"	8
14	NM4085	Nut, 3/8"-16, Nyloc	2
15	NM5774	Handle, Weldment, SX-15	1
16	NA031B	Body, Plastic MV960 Gun	1
17	100010	Gun Spray HP Hydroforce	1
18	BR272	Elbow 45, 1/4", Street	1
19	BR282	Elbow 90, 1/4", Street	1
20	NA0802	Strainer Adapter, 1/4" MPT	1
21	NA0803	Strainer, 100 Mesh	1
22	NA0804	Strainer Body 1/4" MPT	1
23	AH102B	Quick Connect, 1/4" MPT	1
24	NM4080	Screw, 10-32 x 1 5/8", BH SOC SS	6
25	NM4028	Nut, 10-32, Nyloc	6
26	2643-0621	Hose End, 1/4" MPT, 3/16" Hose	1
27	2647-0524	Sol Hose, 3/16", Black	50"
28	2642-0620	Hose end, 1/8" MPT, 3/16" Hose	1
29	NA034	Quick Connect, 1/8" Flo Thru	1
30	NM5726	Vac Hose, 2"	34"
31	PA051	Clamp, Hose 2 1/2"	2

LIMITED WARRANTY

Your SX-12 tile cleaning tool is designed to give you years of reliable service. If a problem should arise contact your distributor or Hydro Force for assistance.

Hydro-Force warrants the SX-12 tile cleaning tool to be free from defects in material or workmanship for one year for the deck and handle and 90 days for all other items excluding normal wear and tear items such as, but not limited to Inner Shell brush, quick connects, strainer screens, spray jets, swivel seals and valve seals.

During the warranty period, Hydro Force will, at its option repair or replace components which prove to be defective. This warranty does not provide for replacement of complete units due to defective components. Any costs for transportation or related service labor are not covered in this warranty. Replacement parts are warranted only for the remainder of the original warranty period.

This warranty shall not apply to defects resulting from improper operation, lack of maintenance, unauthorized modification, chemical incompatibility, misuse, abuse or exposure to freezing temperature conditions.

To obtain warranty service for the SX-12, contact your distributor or Hydro Force. If the tool must be returned to Hydro Force or an authorized service center, the purchaser shall prepay shipping charges for products returned for warranty service. No returned items will be accepted by Hydro Force without prior authorization. All returns must have a return authorization number, issued by Hydro Force, clearly marked on the exterior of the package.

Hydro Force makes no other warranty either expressed or implied with respect to this product.

The remedies provided herein are the purchaser's sole and exclusive remedies. In no event shall Hydro Force be liable for any direct, indirect, special, incidental or consequential damages.

This warranty gives you specific legal rights. You may also have other rights which vary from jurisdiction to jurisdiction.