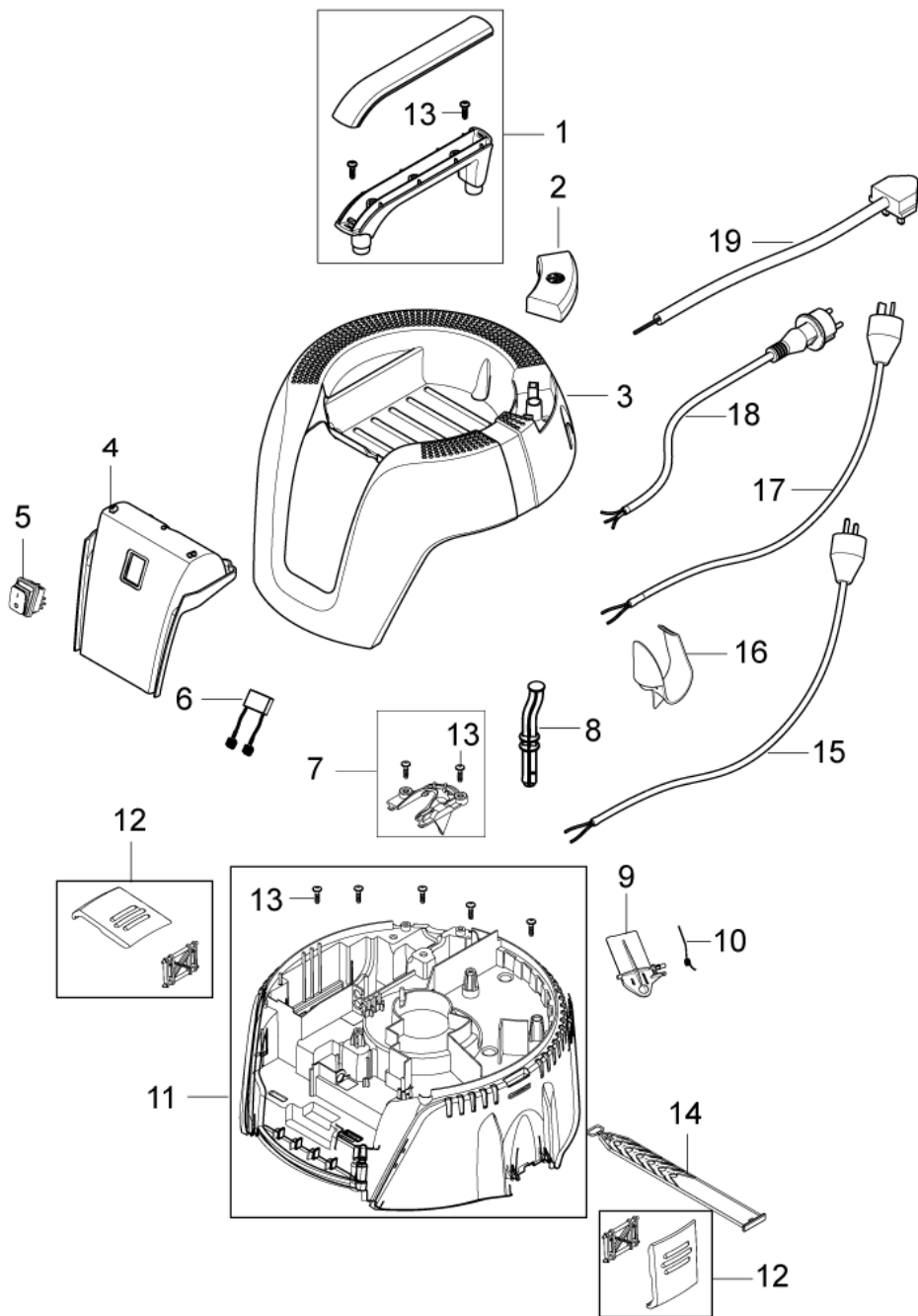


Model : 90122 AERO 26

Drawing : AERO2601 Hood 26-01 PC

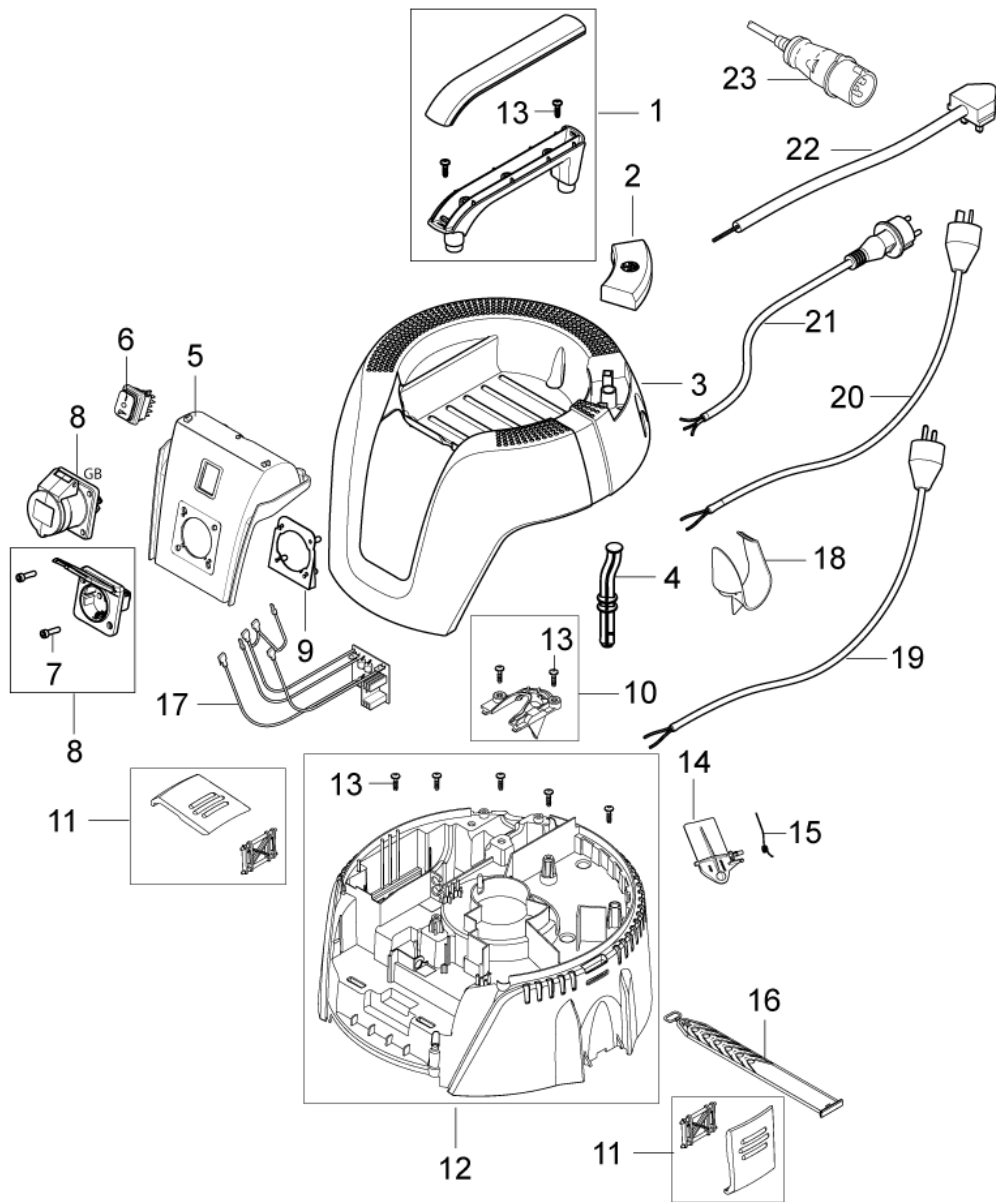


AERO 26-01

IA	Pos. no.	Qty.	Item no.	Item Text
	01	1	107409137	HANDLE
	02	1	107409138	PC BUTTON ADV 1
	03	1	107409145	AERO HEAD COVER 26-2L
	04	1	107409140	INTERFACE ADV 1
	05	1	107404540	SWITCH 0-1 DOUBLE POLE SET
	06	1	107404542	ANTI-INTEFERENCE CAPACITOR SET
	07	1	107409125	CABLE OUTLET
	08	1	107409141	PC ROD ADV 1
	09	1	107409129	PC FLAP - KIT
	10	1	909100083	TORSION SPRING D0.9X18X45 INOX
	11	1	107409132	AERO CLAMPING PLATE
	12	2	107409130	CLAMP
	13	1	302003704	SCREW EJOT DELTA PT50X18WN5451
	14	1	107409131	RUBBER STRAP
	15	1	302002392	POWERCORD AWG 18/2 SJTW X5.7M
	15	1	302002394	POWERCORD H05VV-F 2X0.75X5.7M
	16	1	107409982	HOSE/CABLE HOOK, AERO 26/31
	17	1	60902	POWER CORD H05VV-F 2X0.75X5.7A
	18	1	302000452	POWER CORD H05RR-F 2X0.75X8.25 M
	18	1	60903	POWERCORD H05VV-F 2X0.75X5.M S
	19	1	60904	POWER CORD H05VV-F 2X0.75X5.7M

Model : 90122 AERO 26

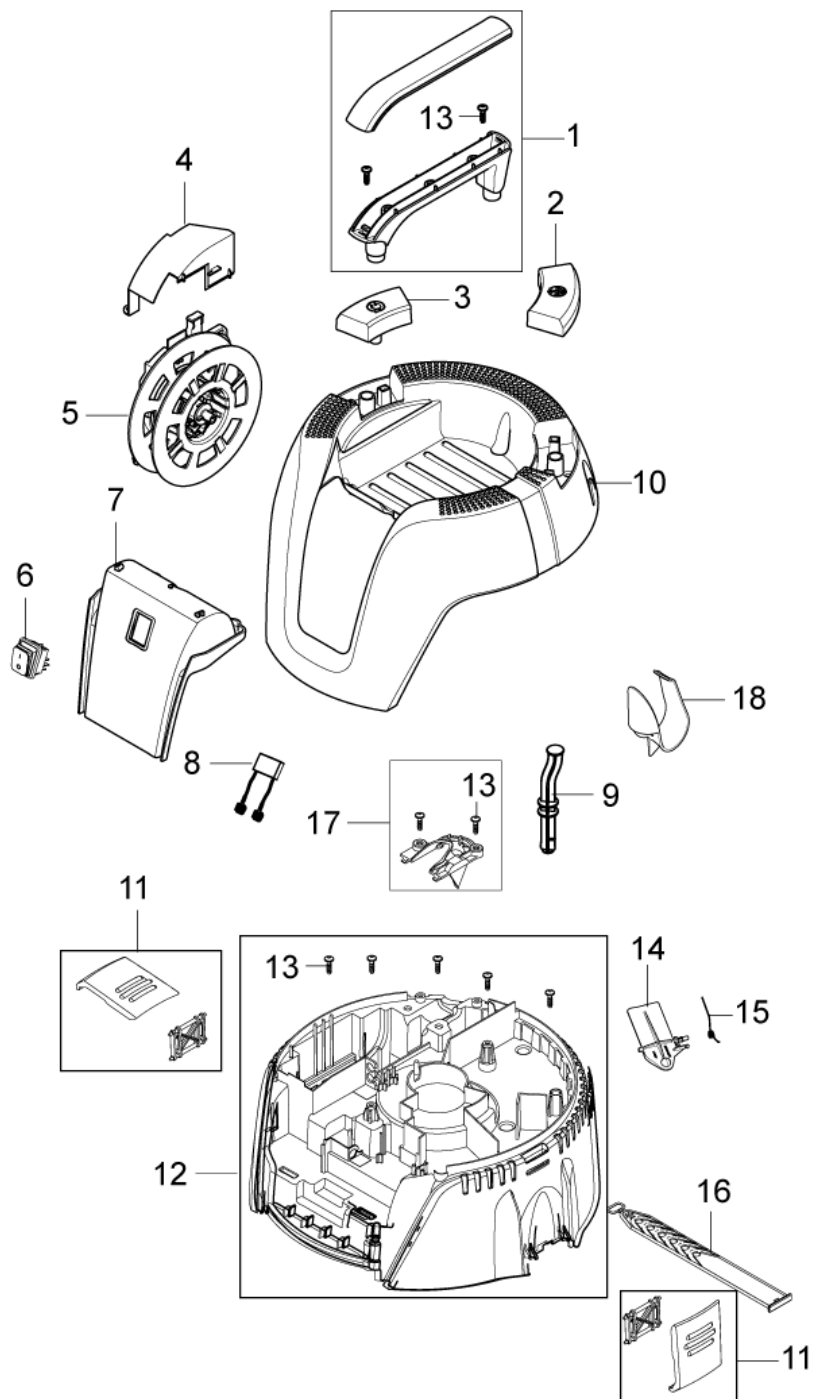
Drawing : AERO2603 Hood 26-21 PC



IA	Pos. no.	Qty.	Item no.	Item Text
	01	1	107409137	HANDLE
	02	1	107409138	PC BUTTON ADV 1
	03	1	107409145	AERO HEAD COVER 26-2L
	04	1	107409141	PC ROD ADV 1
	05	1	107409140	INTERFACE ADV 1
	06	1	107409135	SWITCH 1-0-TOOL
	07	1	302003705	SCREW EJOT DELTA PT35X18WN5451
	08	1	107400059	SOCKET 16A/250V CH
	08	1	107402842	OUTLET 2P AND PE 16A 110V
	08	1	302001185	SOCKET 10A/250V AU
	08	1	302004034	SOCKET 16A/250V EU
	08	1	302004336	SOCKET 13A/250V GB
	08	1	302004338	SOCKET 15A/125V US/CSA
	09	1	302002052	PLUG SOCKET PLATE
	10	1	107409125	CABLE OUTLET
	11	2	107409130	CLAMP
	12	1	107409132	AERO CLAMPING PLATE
	13	9	302003704	SCREW EJOT DELTA PT50X18WN5451
	14	1	107409129	PC FLAP - KIT
	15	1	909100083	TORSION SPRING D0.9X18X45 INOX
	16	1	107409131	RUBBER STRAP
	17	1	107409148	
	18	1	107409982	HOSE/CABLE HOOK, AERO 26/31
	19	1	61130	POWERCORD H05VV-F 3G1.5X5.7M C
	20	1	302002391	POWERCORD H05VV-F 3G1.5X5.7M A
	21	1	302000882	POWER CORD SJTW-AWG16/3X8
	22	1	61129	POWER CORD H05VV-F3G1.5X5
	23	1	302000692	POWER CORD H07BQ-F3G1.5X8.2 CE

Model : 90122 AERO 26

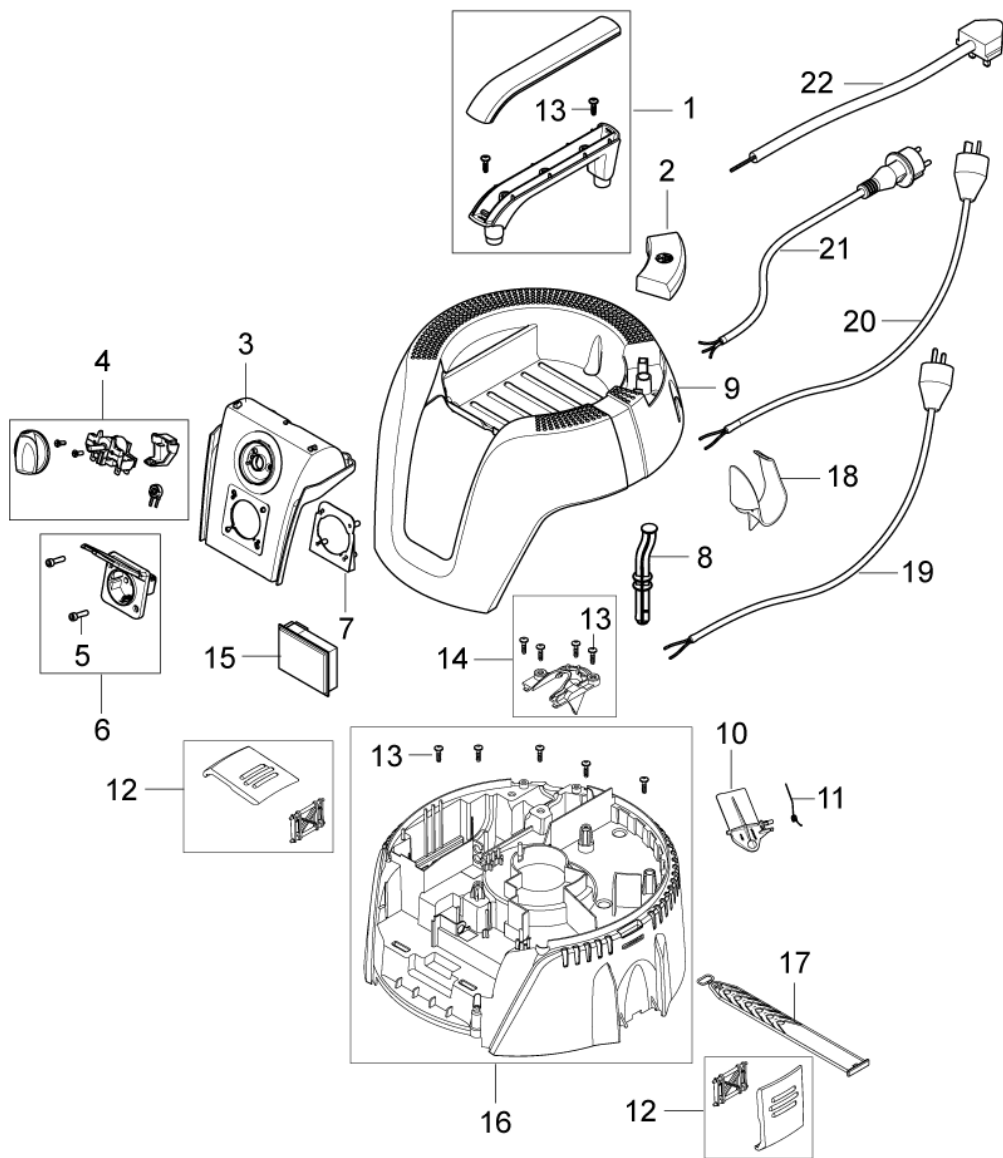
Drawing : AERO2605 Hood 26-01 PC X



IA	Pos. no.	Qty.	Item no.	Item Text
	01	1	107409137	HANDLE
	02	1	107409138	PC BUTTON ADV 1
	03	1	107409139	CR BUTTON
	04	1	107409143	SPLASH COVER
	05	1	107409144	CABLE REWIND
	06	1	107404540	SWITCH 0-1 DOUBLE POLE SET
	07	1	107409140	INTERFACE ADV 1
	08	1	107404542	ANTI-INTEFERENCE CAPACITOR SET
	09	1	107409141	PC ROD ADV 1
	10	1	107409142	AERO ADV 1 HEAD COVER
	11	2	107409130	CLAMP
	12	1	107409132	AERO CLAMPING PLATE
	13	9	302003704	SCREW EJOT DELTA PT50X18WN5451
	14	1	107409129	PC FLAP - KIT
	15	1	909100083	TORSION SPRING D0.9X18X45 INOX
	16	1	107409131	RUBBER STRAP
	17	1	107409125	CABLE OUTLET
	18	1	107409982	HOSE/CABLE HOOK, AERO 26/31

Model : 90122 AERO 26

Drawing : AERO2607 Hood 26-2L PC



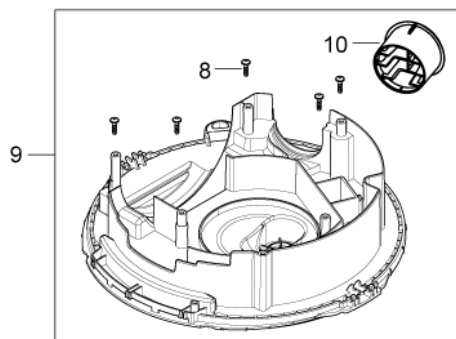
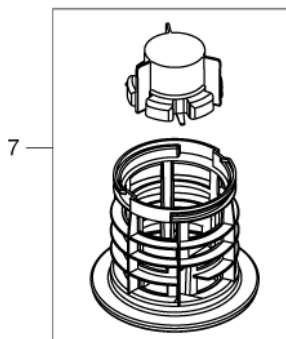
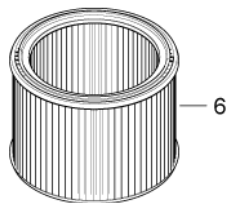
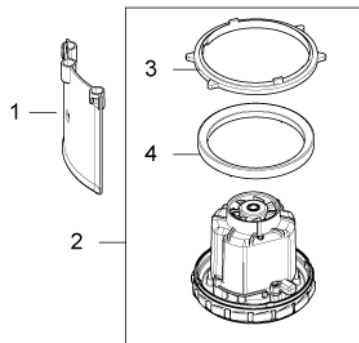
AERO 26-2L

IA	Pos. no.	Qty.	Item no.	Item Text
	01	1	107409137	HANDLE
	02	1	107409138	PC BUTTON ADV 1
	03	1	107409146	
	04	1	107409156	SWITCH
	05	2	302003705	SCREW EJOT DELTA PT35X18WN5451
	06	1	107409157	
	07	1	302002052	PLUG SOCKET PLATE
	08	1	107409141	PC ROD ADV 1
	09	1	107409145	AERO HEAD COVER 26-2L
	10	1	107409129	PC FLAP - KIT
	11	1	909100083	TORSION SPRING D0.9X18X45 INOX
	12	2	107409130	CLAMP
	13	9	302003704	SCREW EJOT DELTA PT50X18WN5451
	14	1	107409125	CABLE OUTLET
	15	1	107409150	PCBA
	15	1	107409190	
	16	1	107409132	AERO CLAMPING PLATE
	17	1	107409131	RUBBER STRAP
	18	1	107409982	HOSE/CABLE HOOK, AERO 26/31
	19	1	107409133	POWER CORD EU
	20	1	61132	POWERCORD HO5VV-F 3G1.0X5.7 SN



Model : 90122 AERO 26

Drawing : AERO2609 Motor and filter

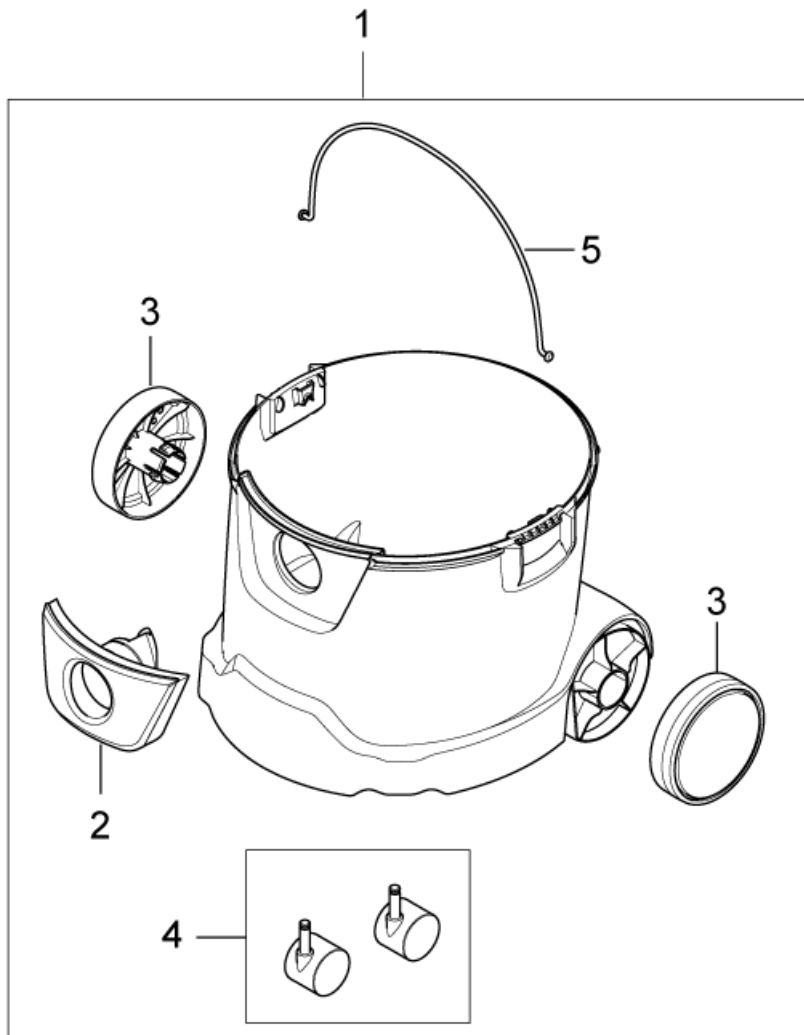


Partlist : AERO2610 Motor and filter

IA	Pos. no.	Qty.	Item no.	Item Text
	01	1	107409159	DEFLECTOR SHIELD
	02	1	107409160	MOTOR 230V
	02	1	107409161	MOTOR 230V
	02	1	107409162	
	03	1	107409163	UPPER MOTOR SEALING
	04	1	107409164	LOWER MNOTOR SEALING
	05	1	107409165	SEALING FILTER
	06	1	302000490	FILTER ELEMENT Ø185X140 PET M-CLASS
	07	1	107409177	
	08	5	302003704	SCREW EJOT DELTA PT50X18WN5451
	09	1	107409166	BASEPLATE WITH OUTLET
	10	1	107409167	OUTLET

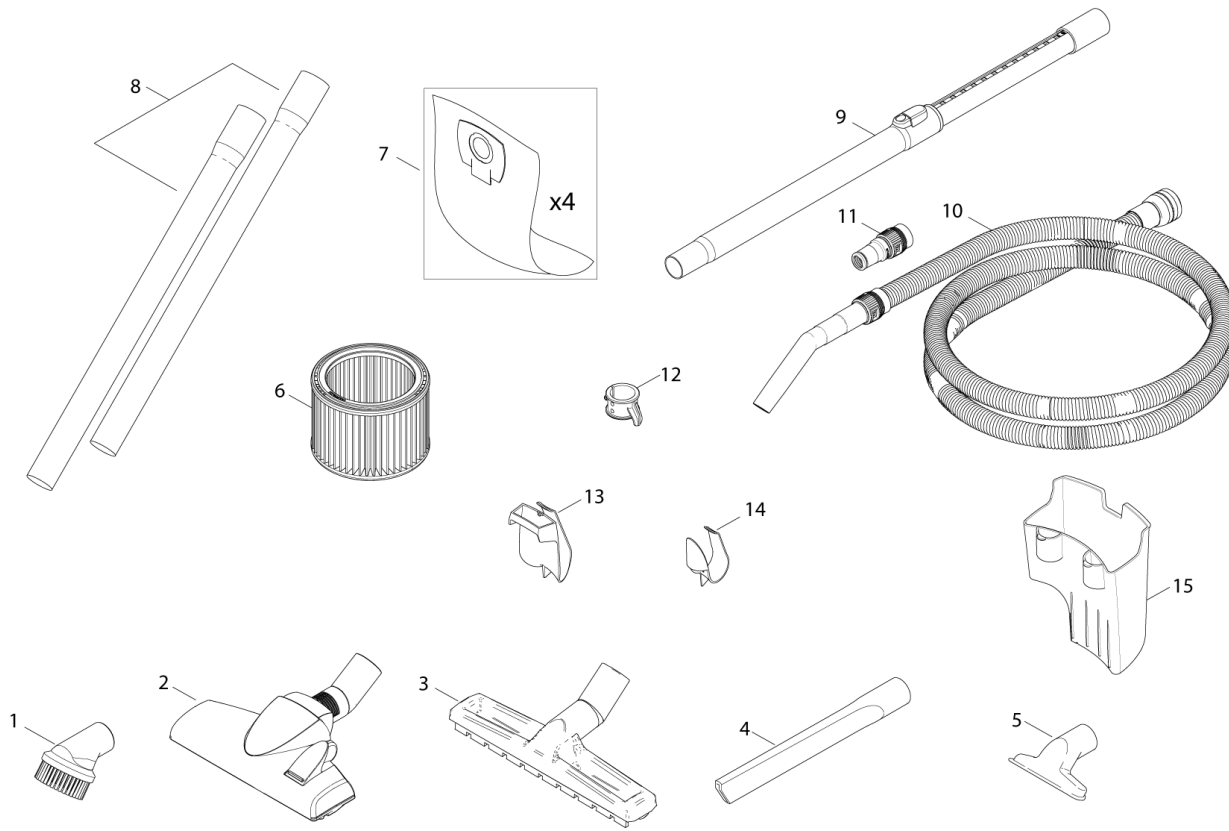
Model : 90122 AERO 26

Drawing : AERO2611 Container 25L plast



Partlist : AERO2612 Container 25L plast

IA	Pos. no.	Qty.	Item no.	Item Text
	01	1	107409175	AERO CONTAINER 25L CPL.
	02	1	107409169	INLET FITTING
	03	2	107409170	WHEEL D130
	04	1	140 6422 500	WHEELS LINK 50MM
	05	1	107409171	HANDLE CONTAINER



## Partlist : AERO2112 Accessories

Page : 1

IA	Pos. no.	Qty.	Item no.	Item Text
	01	1	302002509	SUCTION BRUSH D36 BLACK
	02	1	302002365	SOIL NOZZLE SWITCHABLE
	03	1	107402706	FLOOR NOZZLE D36 W/D -KIT
	03	1	107407310	FLOOR NOZZLE D32 RUBBER STRIP
	03	1	107407311	FLOOR NOZZLE D32 BRUSH
	04	1	29541	CREVICE NOZZLE D36X200
	05	1	14295	UNIVERSAL NOZZLE D36X115
	06	1	302000490	FILTER ELEMENT Ø185X140 PET M-CLASS
	07	1	302002404	FILTER BAG AERO 4 PCS
	08	1	107400032	EXTENSION TUBE D36 2X500MM ALU
	08	1	302000529	EXTEN TUBE D36 2X505MM ST/CR
	08	1	40696	EXTENS TUBE PLASTIC SET 2
	09	1	107402654	TELESCOPIC TUBE D36 575-930MM CR-ST
	09	1	107402705	TELESCOPIC TUBE PLAST.-KIT
	10	1	107405599	SUCTION HOSE D32X2500 CPL.
	10	1	107405600	SUCTION HOSE D32x1900 CPL.
	10	1	107406115	SUCTION HOSE D32X3500 CPL.
	10	1	107409976	UNIV HOSE WITH HAND TUBE D32X3500 CPL.
	11	1	107409977	TOOL ADAPTER WITH SUCTION REGULATION D32
	12	1	107409978	TUBE HOLDER KIT D32
	12	1	107409979	TUBE HOLDER KIT D36
	13	1	107409981	HOSE/CABLE HOOK, AERO 21
	14	1	107409982	HOSE/CABLE HOOK, AERO 26/31
	15	1	107409980	TOOL BOX, AERO 26/31