

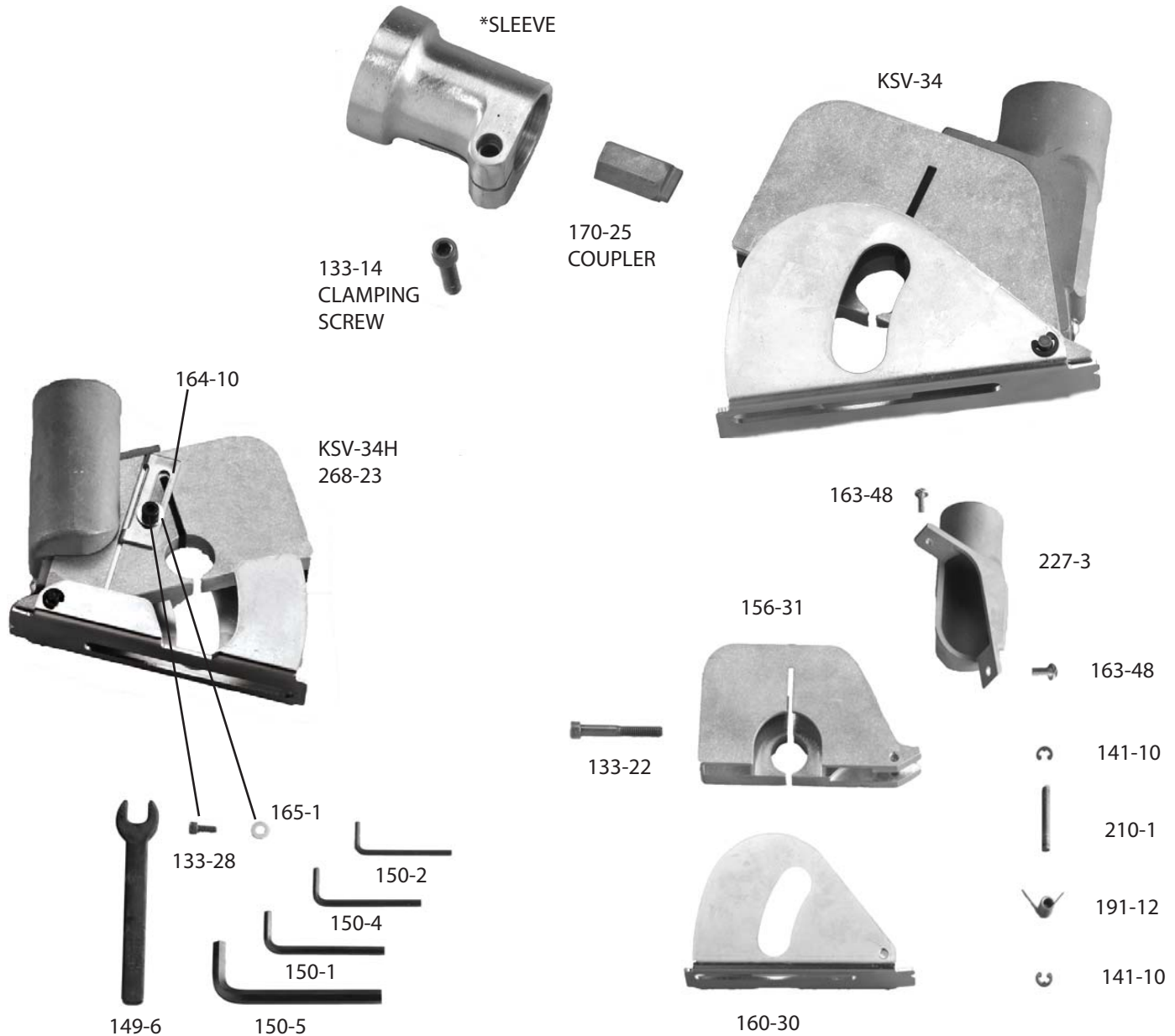




# COMPONENT PARTS OF KSV-34 SAW UNIT

\*Use 267-45 Sleeve on KSV-34AM Saw

\*Use 567-2A Sleeve on KSV-434 and PSV-534 Saws



Part No.	Description	Part No.	Description	Part No.	Description	Part No.	Description
133-14	Clamping Screw	150-2	1/8" Socket Key	164-10	Depth Stop	267-45	Sleeve
133-22	Screw	150-4	5/32" Socket Key	165-1	Washer	268-23	KSV-34H Guard and Body Assembly
133-28	Screw	150-5	5/16" Socket Key	170-25	Coupler	567-2A	Sleeve
141-10	Retaining Ring (2)	156-31	Vacuum Saw Body	210-1	Guard Pin	KSV-34	Saw Unit Complete
149-6	Spindle Wrench	160-30	Saw Guard	227-3	Vacuum Head		
150-1	3/16" Socket Key	163-48	Screw (2)				

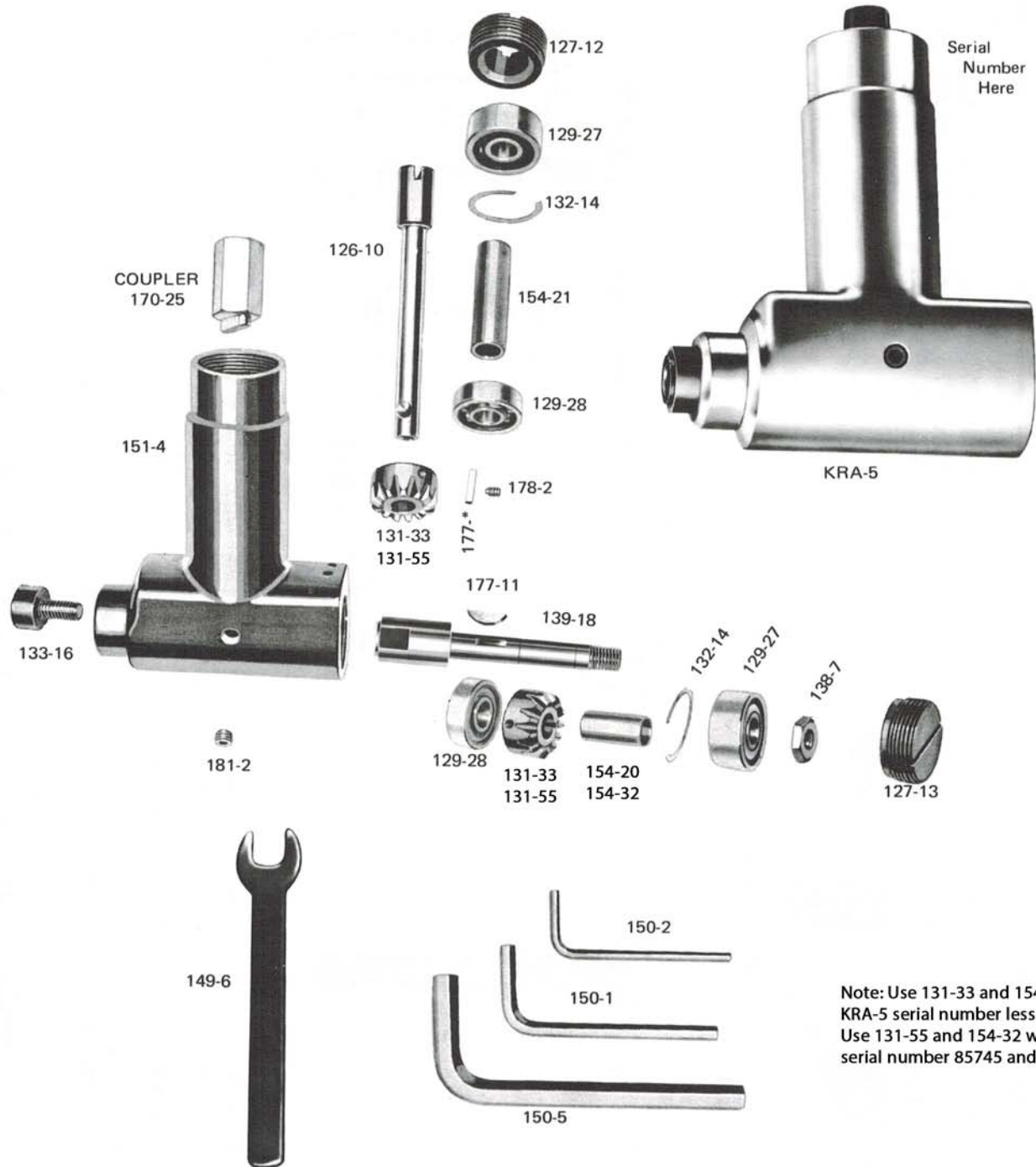
THE KETT TOOL CO. 5055 Madison Road Cincinnati, Ohio 45227

513-271-0333

Fax 513-271-5318 e-mail info@kett-tool.com www.kett-tool.com

# COMPONENT PARTS FOR KRA-5 GEARED ANGLE HEAD

s/n 15241 & higher



Note: Use 131-33 and 154-20 with KRA-5 serial number less than 85744  
Use 131-55 and 154-32 with KRA-5 serial number 85745 and greater.

Part No.	Description	Part No.	Description	Part No.	Description
126-10	Input Spindle	139-18	Output Spindle	177-*	Key (See serial number on neck of KRA-5 above)
127-12	Retaining Screw	149-6	Spindle Wrench		S/N 15240 & lower use 177-7 square key.
127-13	Retaining Screw	150-1	3/16 Socket Key		S/N 15241 & higher use 177-11 Woodruff Key
129-27	Ball Bearing	150-2	1/8 Socket Key	178-2	Socket Head Set Screw
129-28	Ball Bearing	150-5	5/16 Socket Key	181-2	Screw Plug
131-33	Mitre Gear	151-4	Housing		
131-55	Mitre Gear	154-20	Sleeve		
132-14	Shim	154-32	Sleeve		
133-14	Clamping Screw	154-21	Sleeve		
133-16	Spindle Bolt	170-25	Coupler		
138-7	Jam Nut	177-11	Woodruff Key		