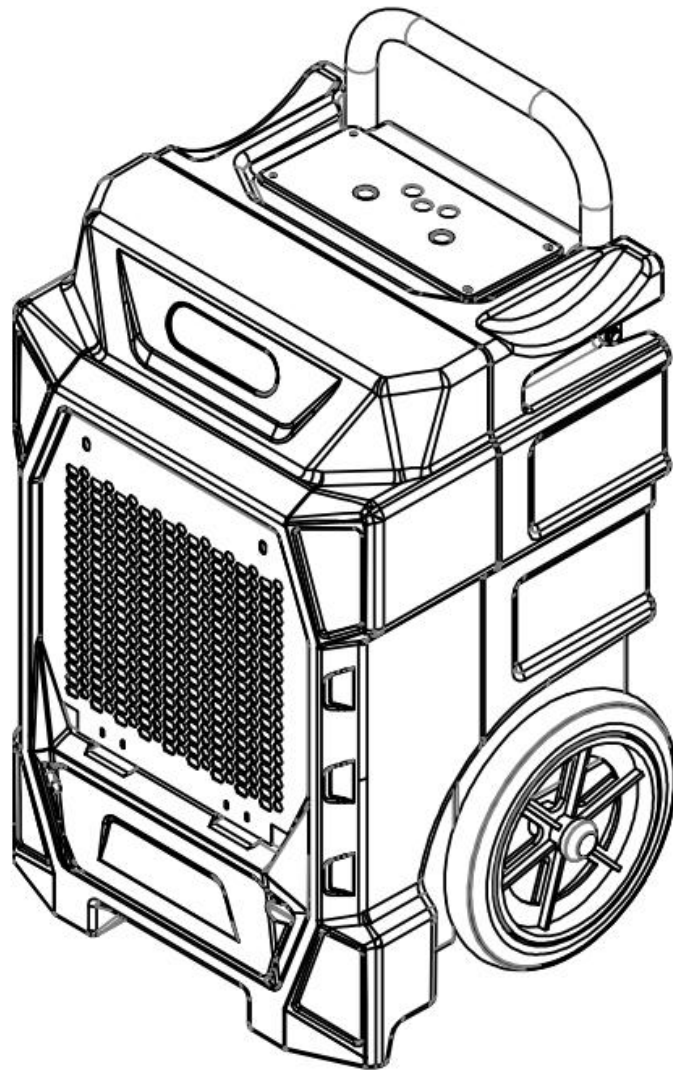


INSTRUCTION MANUAL

DEHUMIDIFIER

SYCD190



Please keep this manual for further reference

CONTENTS

CAUTIONS.....	1
SPECIFICATIONS.....	2
FEATURES.....	2
DRAWINGS.....	3
OPERATIONS.....	4
AUTO DRAINAGE AND MAINTENANCE.....	8
TROUBLE SHOOTING GUIDE.....	9

CAUTIONS

1. Unplug the power supply before cleaning or storing the machine.
2. Never immerse the machine into water or other liquids.
3. Do not put the machine close to heat-generating devices, including flammable or dangerous materials.
4. Do not put fingers or other items into air inlet or air outlet.
5. Do not sit, stand or put heavy objects on the machine.
6. Never operate the machine when the power cord or plug is damaged. This may cause damage or injury. Please contact your local distributor for service issues.
7. This appliance should only be used by adults who have read the manual and understand the operating procedure of the unit.
8. The appliance is not to be used by persons (including children) with reduced physical, sensory or mental capabilities, or lack of experience and knowledge, unless they have been given supervision or instruction by an adult.
9. Install the machine on flat surface to minimize vibration and or noise.
10. Never insert any other objects into the machine body.
11. If the supply cord is damaged, it must be replaced by the distributor or qualified electrician.




Never repair or remove plug and or power cord. Any repairs should be completed by qualified electrician or distributor.



Appliance shall be installed, operated and stored in a room with a floor area larger than 4 m².

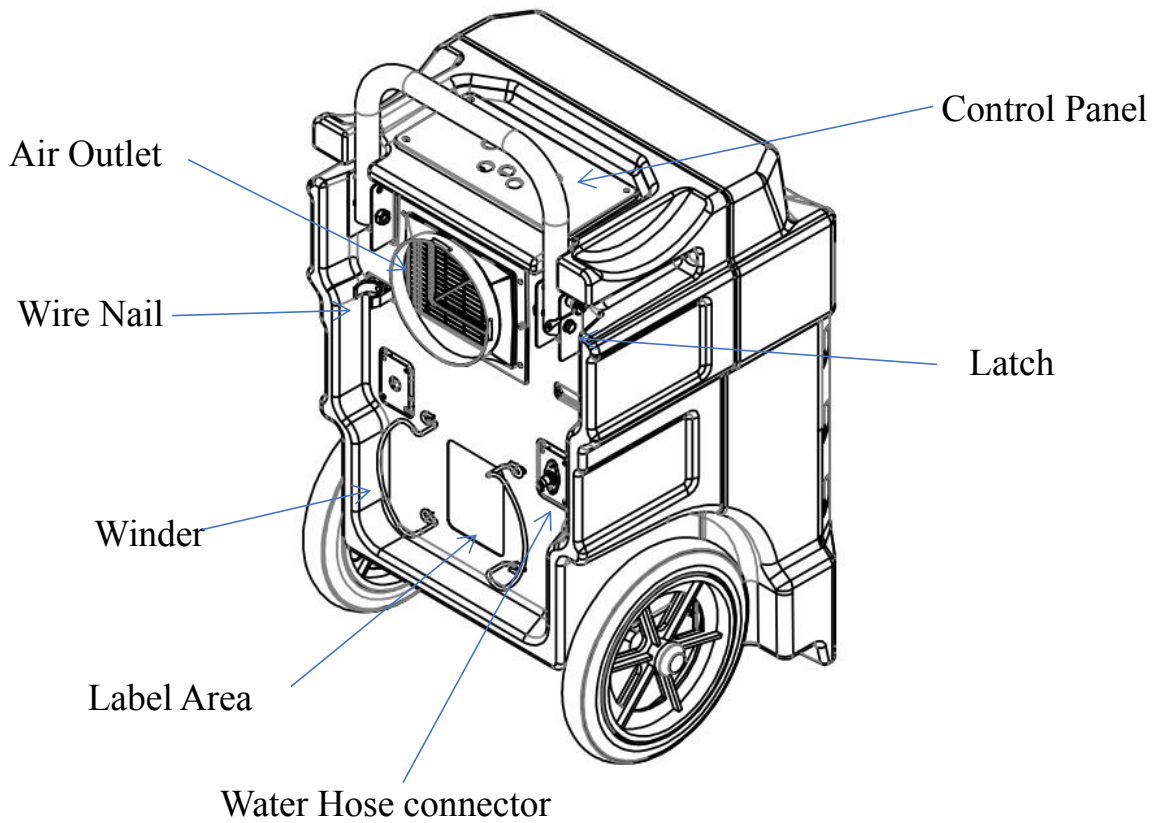
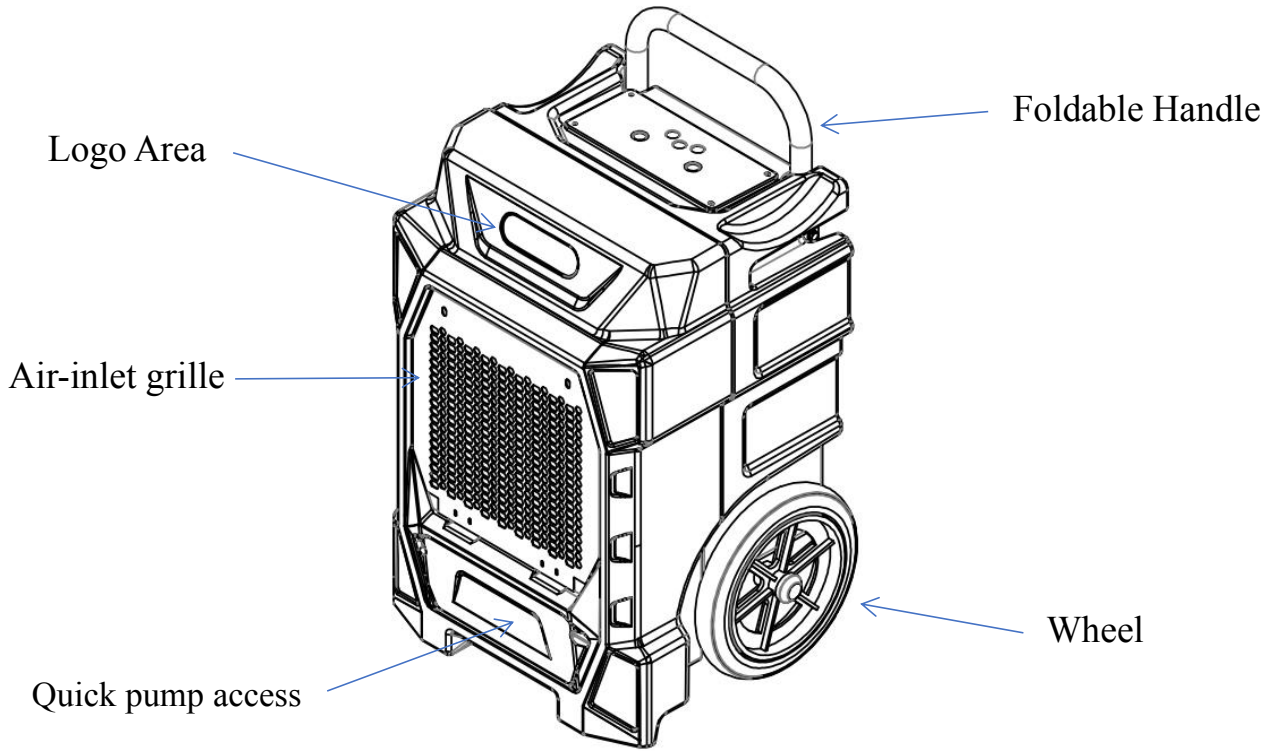
SPECIFICATIONS

DEHUMIDIFIER	
Model No.: SYCD190	
Voltage & Hertz	AC115V / 60Hz
Rated Input Current	6.8A @80°F , 60% RH
MAX. Input Current	8.5A
Refrigerant Charge	R32/13.06oz
Dehumidify Capacity	95Pints/Day @80°F , 60% RH 190Pints/Day @95°F , 90% RH
Maximum Design Pressure	High Side: 550psig Low Side: 260psig
BCSC	15A
Compressor Input	RLA: 6.15A LRA:36A
Fan Motor Power	0.214HP
<div style="display: flex; justify-content: space-around; align-items: center;"> <div style="text-align: center;">  </div> <div style="text-align: center;"> <p>CONFORMS TO UL STD.60335-1&60335-2-40 CERTIFIED TO CSA STD.60335-1&60335-2-40</p> </div> </div>	

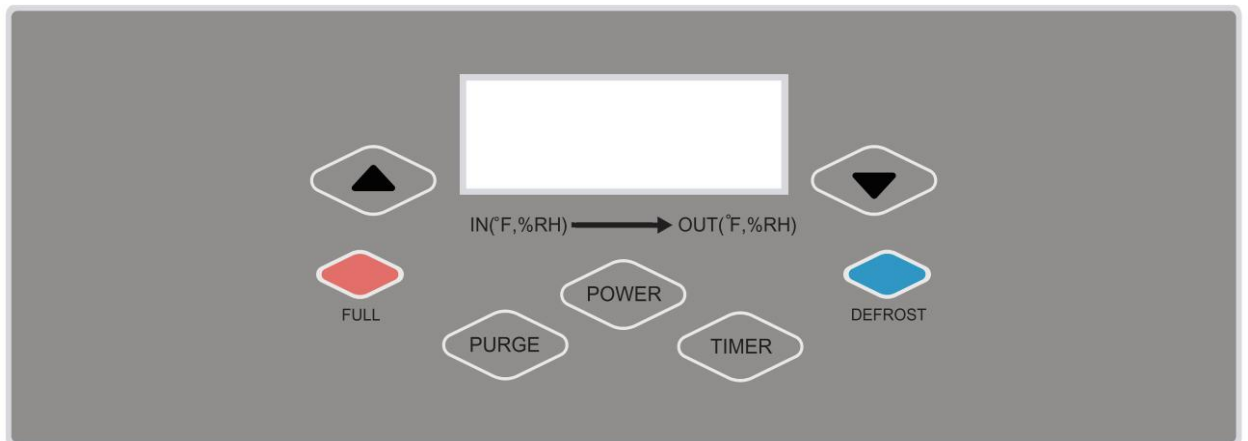
FEATURES

- *Hot Gas Valve system for fast defrost
- *Easy to assemble and disassemble the housing for repair
- *With fast connector of hose , convenient for assembly and disassemble
- *Foldable handle ,easy to operate
- *Quick pump access in front for easy servicing
- *Tough semi-pneumatic wheel

DRAWINGS



OPERATION





Power Button: When the machine is in the standby mode, the display screen will be displayed in low light LED.

To start the dehumidifier, press the power button. Concurrently, the display screen will light up and the unit will run in Auto mode, the default humidity setting data is 10%RH, and the machine will start if the humidity condition meets the requirement of compressor operation.

Press the power button again to turn off the machine, and the fan will shut down in 1 minute later.



Timing Button: Press the timing button, the display screen will show the current timing data, and then press

Add button  to increase the timing data or press Minus button  to decrease the timing data. Press one time to increase or decrease one hour. The timing indicator will light up after setting.

When the machine is in the standby mode, press the timing button to set the start-up time; when the machine is running, press it to set the

shutdown time. The timing setting range is from 0 to 24 hours. If you set the timing data as “00”,it will cancel timing function ,the timing indicator will turn off.



Add Button: Press the Add button to increase humidity data or increase timing data .

When setting the humidity data , press the button for one time to increase 5%RH , you can set the humidity range from 10%-90% RH, and 5% RH for one step , it will cycle as below :

10%-15%-20%-25%-30%-35%-40%-45%-50%-55%-60%-65%-70%-
75%-80%-85%-90%-10% ...

When setting the timing data , press the button for one time to increase 1 hour , you can set the timing range from 1-24 hours ,and 1 hour for one step. it will cycle as below:

01-02-03-04-05...-23-24-00-01-02...



Minus Button: Press the Minus button to decrease humidity data or decrease timing data .

When setting the humidity data , press the button for one time to decrease 5%RH , you can set the humidity range from 90%-10% RH, and 5% RH for one step , it will cycle as below :

90%-85%-80%-75%-70%-65%-60%-55%-50%-45%-40%-35%-30%-
25%-20%-15%-10%-90% ...

When setting the timing data , press the button for one time to decrease 1 hour , it will cycle as below:

24-23-22-21-20...-02-01-00-24-23...



Purge Button (Manual Drainage): Press and hold the

purge button for 3 seconds, the machine will drain the water automatically by the built-in pump. After 30 seconds, the pump stops draining, then the indicator will turn off.



Defrosting Indicator: When the machine is defrosting, this indicator turns on. After defrosting, it turns off.



Water Full Indicator: When the water pump is full of water, the indicator light turns on to remind the user to drain



Display Screen: The default temperature display is Fahrenheit temperature. When the machine is in standby mode, press the power

button for 5 seconds to switch to Celsius temperature. When the machine is running, it shows the temperature and humidity of the inlet air and outlet air. It displays the running time when it is in running mode; and displays the setting timing and setting humidity data when users set .

Memory Function: If there is a power outage or the unit shuts off ,it will auto restart to default humidity setting (10%RH) ,once power is restored .

Note :

when humidity of air inlet \geq setting humidity data +3%RH ,and the compressor is out of 3 minutes delay start protection , the fan will start immediately and the compressor will start in 3 seconds later

when humidity of air inlet \leq setting humidity data -3%RH , the compressor will stop working immediately ,and the fan will stop working in 1 minute later

AUTO DRAINAGE AND MAINTENANCE



Please disconnect the power supply before cleaning or conducting maintenance.

Cleaning: Clean the unit body with a soft damp cloth. Do not submerge or place water on the unit or control panel. Water may damage the electronic components of the unit. Do not use chemical solvent such as benzene, alcohol, gasoline or other heavy-duty cleaner. The surface may become damaged or deformed.

Cleaning the Air Filter:

Step 1: Pull out the air filter gently.

Step 2: Use a vacuum cleaner to remove the dirt on the surface of the air filter. If the air filter is exceptionally dirty, immerse it gently into warm water (about 40°C) with a neutral detergent, rinse and dry it thoroughly.

Step 3: Insert the filter back into the unit.

Dehumidifier Storage:

1. Push the purge button to empty the water before transportation or storage.
2. Transport and store the machine upright.
3. Stack machines in warehouse to save space.

TROUBLE SHOOTING GUIDE

Trouble	Possible Cause	Solution
Error Code: E1	Copper head sensor failure	Replace it
Error Code: E2	Air inlet temperature and humidity sensor failure	Replace it
Error Code: E3	Air outlet temperature and humidity sensor failure	Replace it
Error Code: E4	Water pump failure or Water tank of water pump is full	Replace it or check the water pump
Error Code: E5	4-way valve failure	Replace it

Cautions:

If unit malfunctions turn off the unit and unplug it immediately.

Please contact your distributor for service issues.



Do not dispose of electrical appliances in local landfills, or municipal waste locations. Many parts are recyclable.



Contact your local government for information regarding the collection systems available in your area.