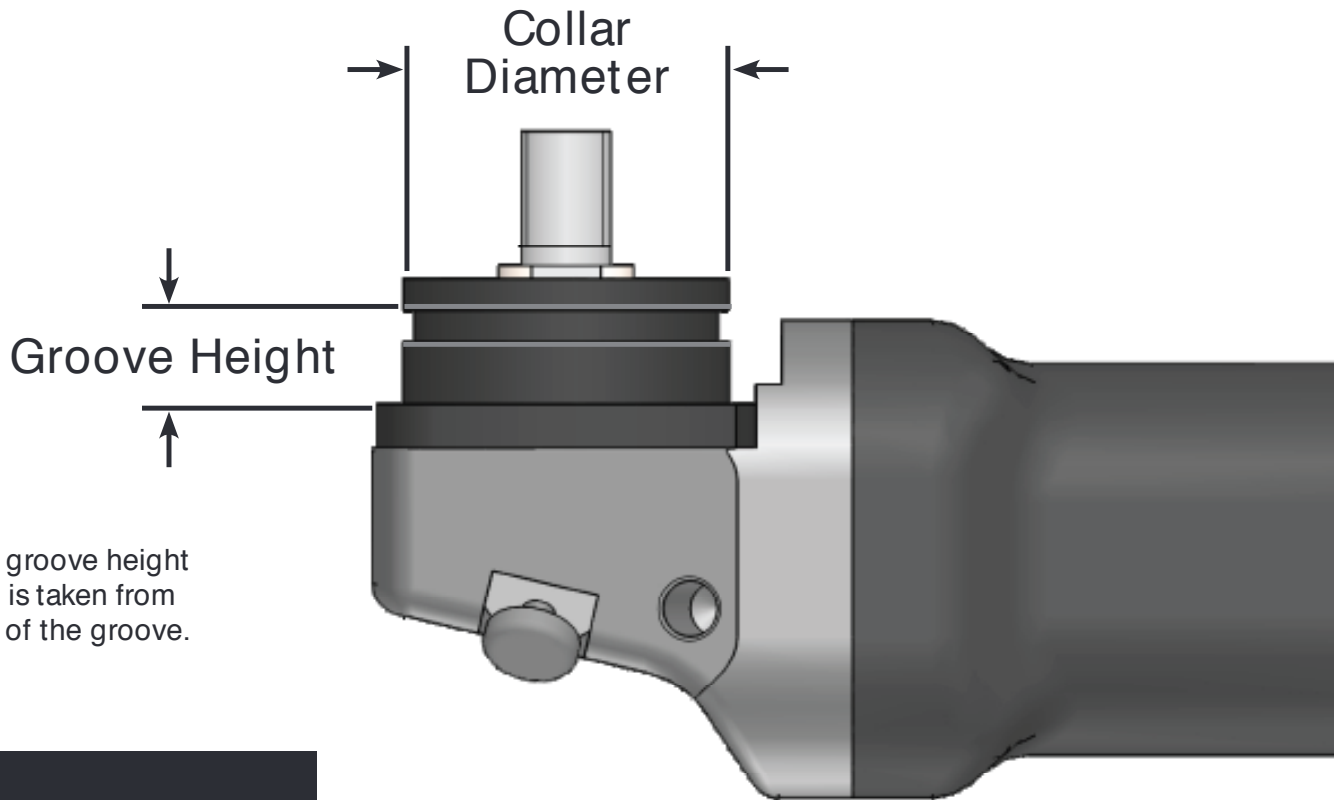


Shroud Type	Shroud Model Number	Collar Diameter	Minimum Groove Height Required
Cutting Shrouds	D ^{EO} _{TE} 730	^{EO} _{TE} $\frac{1}{2}$ " - 2 ³ / ₁₆ "	$\frac{9}{32}$ "
	D ^{EO} _{TE} 750	^{EO} _{TE} $\frac{7}{8}$ " - 3"	$\frac{9}{32}$ "
	D0730	^{EO} _{TE} $\frac{1}{2}$ " - 2 ³ / ₁₆ "	$\frac{1}{4}$ "
Grinding Shrouds	D0835, D ^{EO} _{TE} 805, D ^{EO} _{TE} 835, D5835	^{EO} _{TE} $\frac{1}{2}$ " - 2 ³ / ₁₆ "	$\frac{1}{4}$ "
	D0850, D ^{EO} _{TE} 807, D ^{EO} _{TE} 850, D5850	^{EO} _{TE} $\frac{7}{8}$ " - 3"	$\frac{1}{4}$ "
	D ^{EO} _{TE} 836, D ^{EO} _{TE} 840	^{EO} _{TE} $\frac{11}{16}$ " - 2 ³ / ₁₆ "	N/A
	D ^{EO} _{TE} 854	2 $\frac{1}{16}$ " - 2 ³ / ₁₆ "	N/A



Note that the groove height measurement is taken from the top edge of the groove.